

[China Valve subplates, Manufacturer, Supplier, Factory, Exporter in china](#)



FT	—	SD	6	G34101	—	S
----	---	----	---	--------	---	---

SD = Subplates for panel mounting

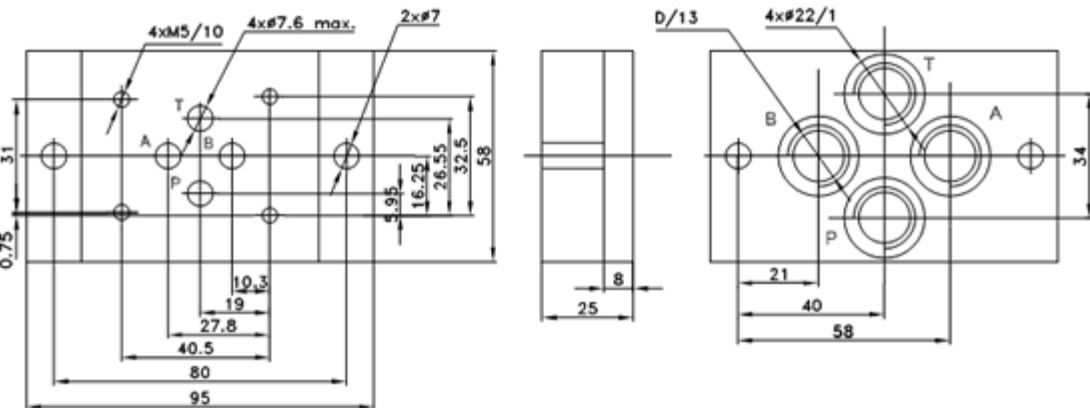
6 = Size 6

Threaded "D"
 G34101 = G1/4"
 G34102 = M14x1.5
 G34201 = G3/8"
 G34202 = M18x1.5
 G50201 = G1/2"
 G50202 = M22x1.5

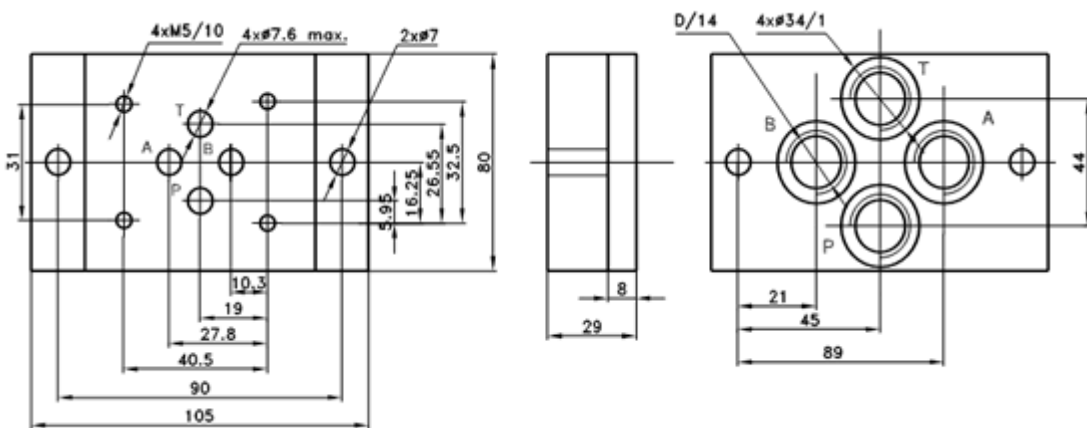
S = Steel
 (The max. operation 350bar)
 A = Aluminum
 (The max. operation 200bar)
 I = Ductile iron
 (The max. operation 300bar)
 For order "P",
 please contact us before ordering in case not available)



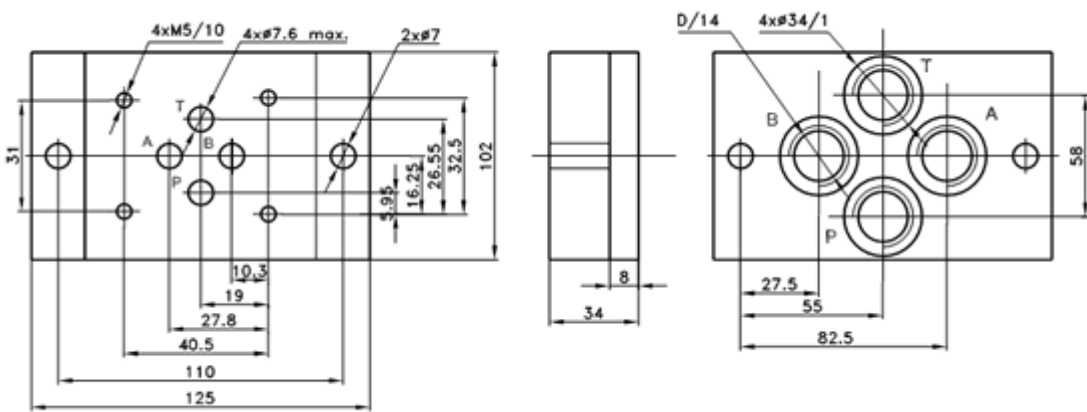
Model FT --- SD 6 G341 dimensions for mounting



Model FT --- SD 6 G342 dimensions for mounting



Model FT --- SD 6 G502 dimensions for mounting



FT-SD10 Subplates

FT	-	SD	10	G66/01	-	S
----	---	----	----	--------	---	---

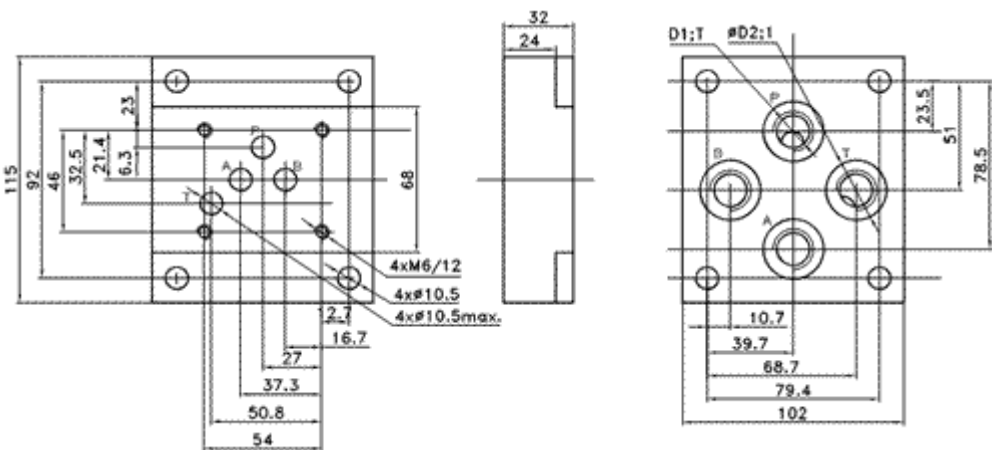
SD = Subplates for panel mounting

10 = Size 10

Model: please check the table below the drawings

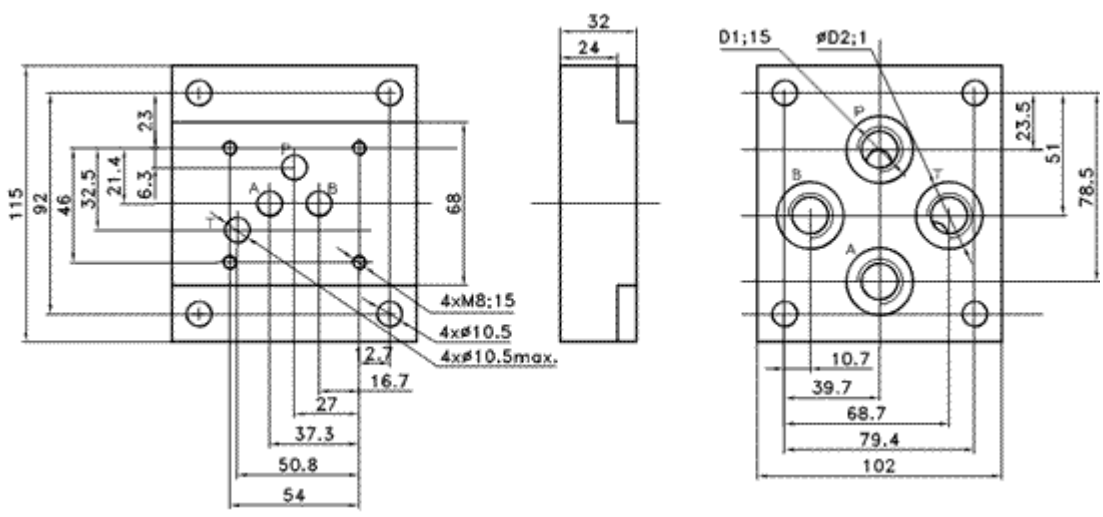
S = Steel
 (The max. operation 350bar)
 A = Aluminum
 (The max. operation 200bar)
 I = Ductile iron
 (The max. operation 300bar)
 For order "P",
 please contact us before ordering in case not available

Model FT --- SD 10 G66/01, G67/01 dimensions for mounting



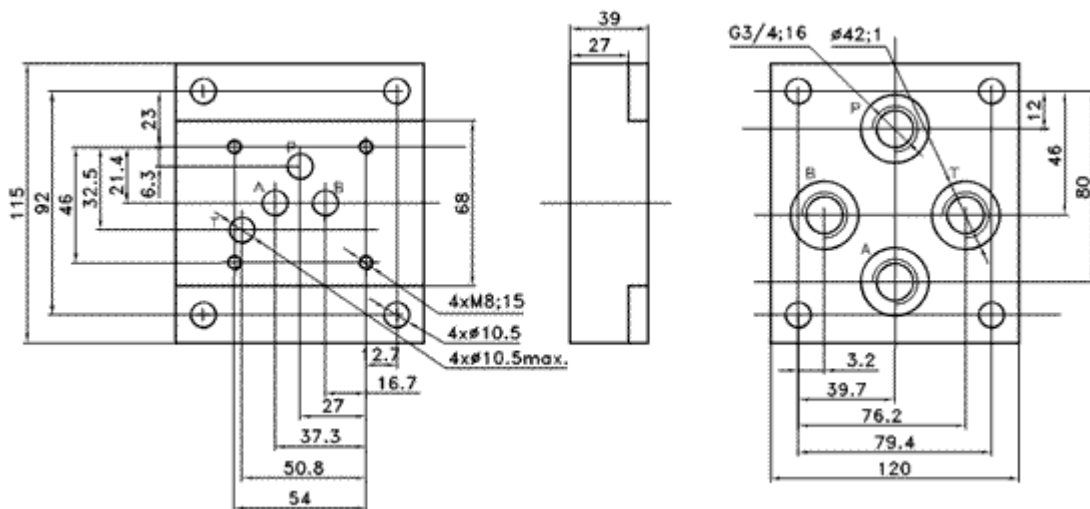
Model	D1	T	øD2	Fixing screw
G66/01	G3/8	12	28	4xM6 (GB70-85-10.9), socket head cap screws
G67/01	G1/2	14	34	

Model FT --- SD 10 G292/01, G308/01, G377/01, G378/01 dimensions for mounting

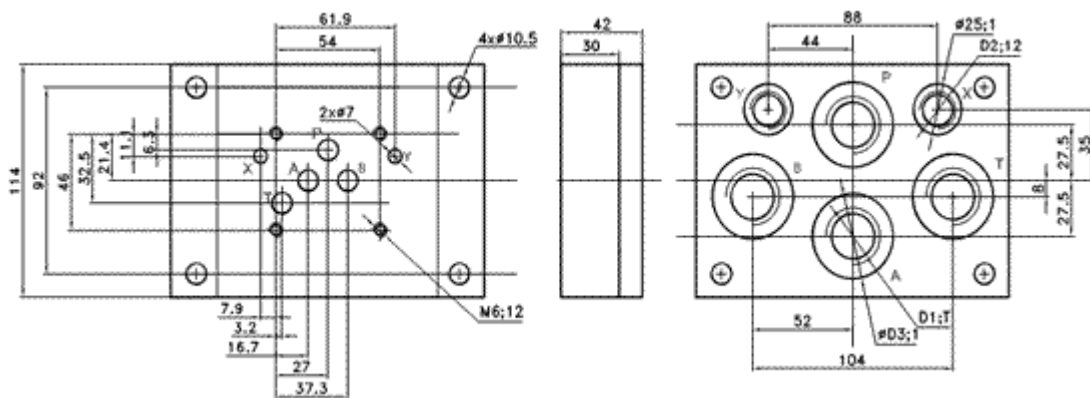


Model	D1	øD2	Fixing screw
G292/01	G1/2	34	4Xm8 (GB70-85-10.9), socket head cap screws
G308/01	G3/8	28	
G337/01	G3/8	28	
G378/01	G1/2	34	

Model FT --- SD 10 G534/01 dimensions for mounting

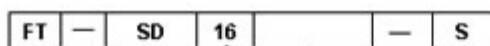


Model FT --- SD 10 G535/01, G535/02, G536/01, G536/02 dimensions for mounting



Model	D1	D2	øD3	T	Fixing screw
G535/01	G3/4	1/4	42	16	4Xm6 (GB70-85-10.9), socket head cap screws
G535/02	M27x2	14x1.5	42	16	
G536/01	G1	G1/4	47	18	
G536/02	M33x2	14X1.5	47	18	

FT-SD16 Subplates



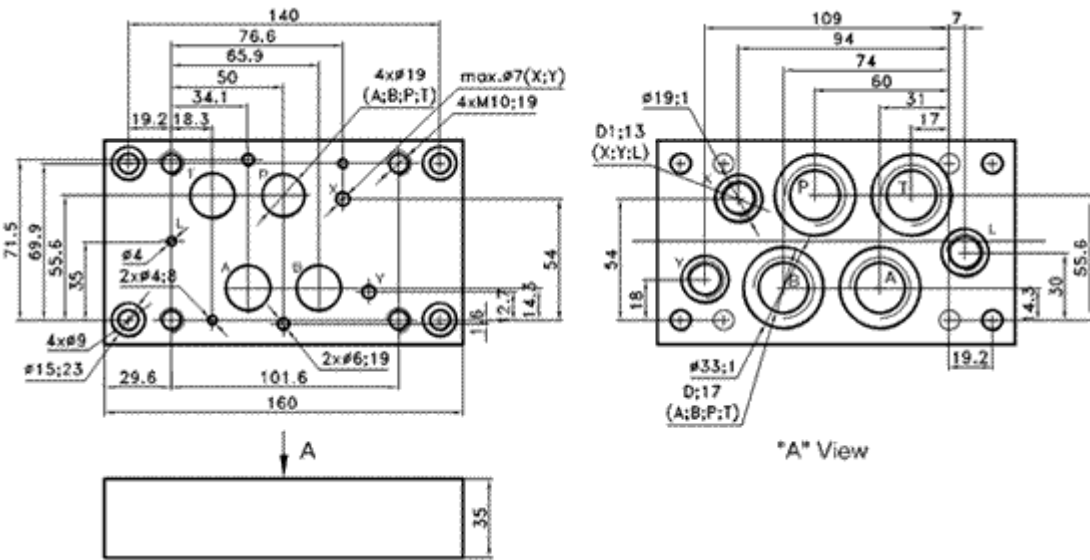
SD = Subplates for panel mounting

16 = Size 16

Model: please check the table below the drawings

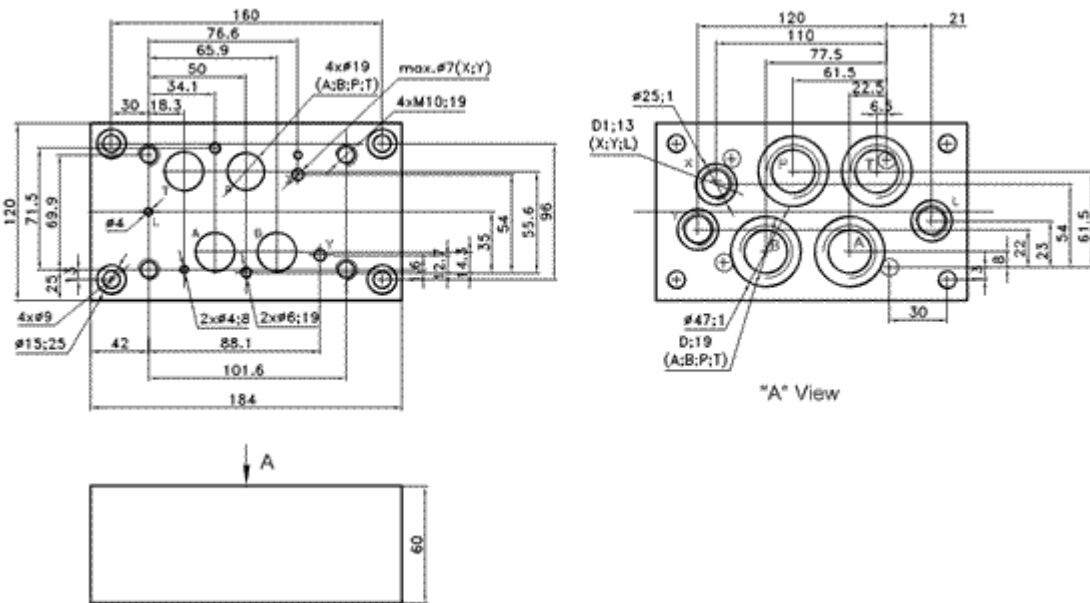
S = Steel
 (The max. operation 350bar)
 A = Aluminum
 (The max. operation 200bar)
 I = Ductile iron
 (The max. operation 300bar)
 For order "P",
 please contact us before ordering in case not available

Model FT -- SD 16 G172/01, G172/021 dimensions for mounting



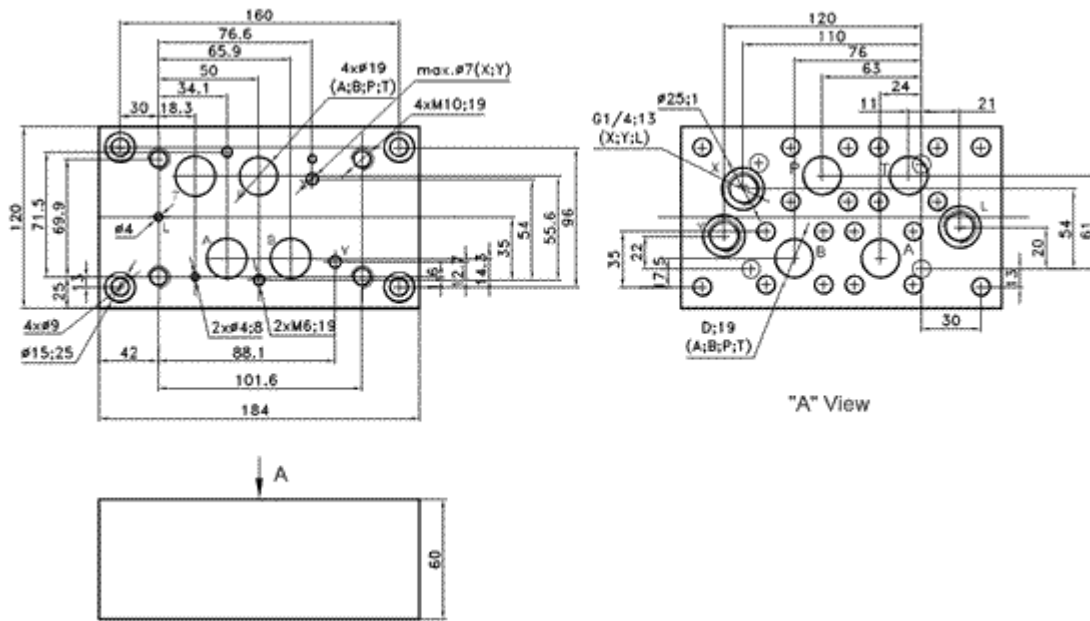
Model	D	D1
G172/01	G3/4	G1/4
G172/02	M27X2	M14X1.5

Model FT -- SD 16 G174/01, G174/02 dimensions for mounting



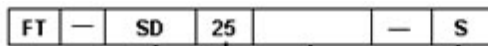
Model	D	D1
G174/01	G1	G1/4
G174/02	M33X2	M14X1.5

Model FT -- SD 16 G174/08 dimensions for mounting



"A" View

FT-SD25Subplates



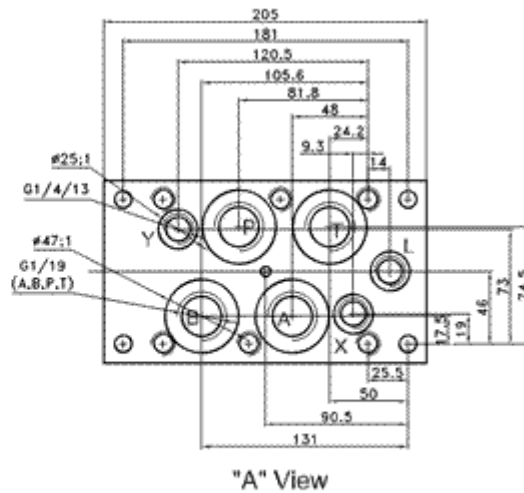
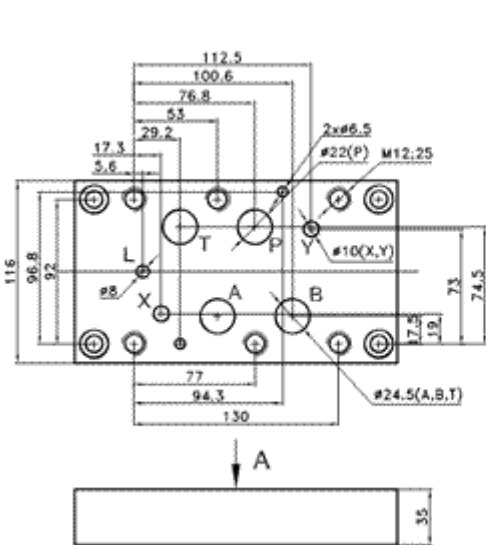
SD = Subplates for panel mounting

25 = Size 25

Model: please check the table below the drawings

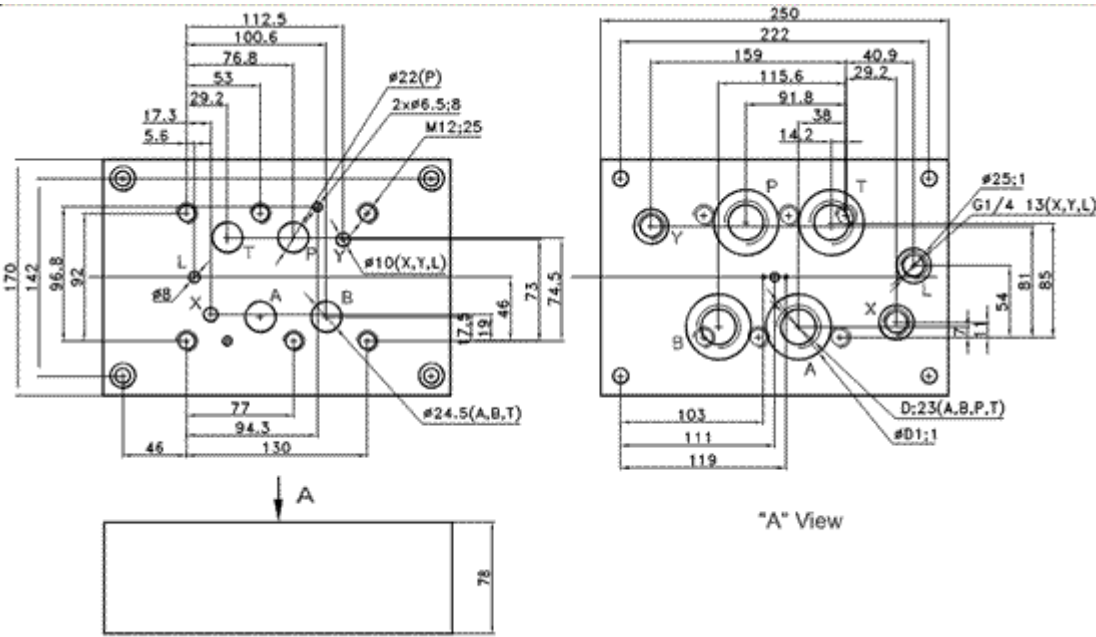
S = Steel
 (The max. operation 350bar)
 A = Aluminum
 (The max. operation 200bar)
 I = Ductile iron
 (The max. operation 300bar)
 For order "I",
 please contact us before ordering in case not available

Model FT -- SD 25 G151/01, G153/01 dimensions for mounting

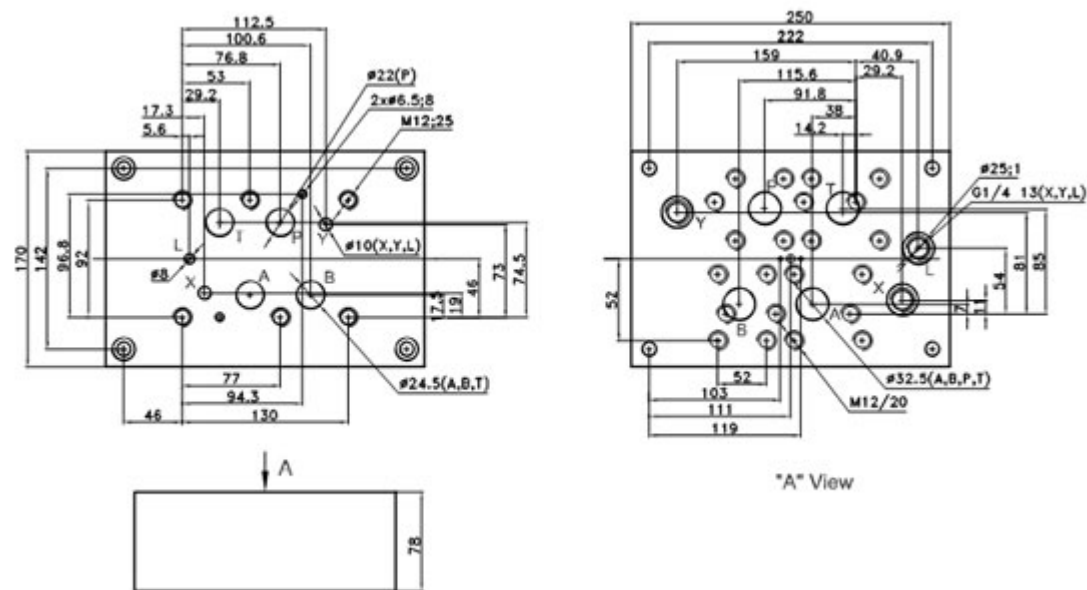


"A" View

Model FT -- SD 25 G154/01, G156/01 dimensions for mounting



Model FT C SD 25 G154/08 dimensions for flange mounting





[Valve subplate-pro](#)

[Directional spool valves](#), [Direct operated spool valve](#), [Hand level spool valve](#), [Solenoid controlled directional valve](#), [Hydraulic operation valve](#), [Solenoid operated directional spool valve](#), [Electrical operated directional valve](#), [Hydraulic Solenoid valve](#), [Solenoid controlled directional valve](#), [Electro-hydraulic operation valves](#), [Externally pilot operated valve](#), [Hydraulic directional control valve](#), [Hydraulic operation directional control valve](#), [Manually directional valves](#), [Mechanical operational valve](#), [Manually operational valve](#), [Directional valves pilot operated](#), [Solenoid operated directional poppet valve](#), [Poppet valve with solenoid operation](#), [Directional poppet valves](#), [Pressure control valves](#), [Pressure relief valves](#), [Pressure direct operated relief valve](#), [Pilot operated pressure relief valve](#), [Pressure relief cartridge valve](#), [Pressure reducing valves](#), [Pilot operated pressure reducing valve](#), [Pressure unloading valves](#), [Pressure relief cartridge valve](#), [Pilot operated pressure unloading valve](#), [Pressure sequence valves](#), [Pilot operated pressure sequence valve](#), [Direct operated pressure reducing valve](#), [Sandwich plate pressure relief valve](#), [Flow control valves](#), [Throttle and throttle check valves](#), [Throttle valves](#), [Throttle check valves](#), [Sandwich plate check valve](#), [One directional control valves](#), [Double throttle check valves](#), [Restrict flow valves](#), [Sandwich flow valves](#), [Pressure compensated valves](#), [Pressure compensated flow control valves](#), [Check valves](#), [Sandwich plate check valve](#), [Pilot operated check valve](#), [Check \(Non-return\) valves](#), [Hydraulic pilot operated check valve](#), [RVP series direct operated check valves](#), [Direct operated check valves](#), [Cartridge Valves](#), [Reverse check cartridge valves](#), [Hydraulic operated check cartridge valves](#), [Check cartridge valves](#), [Pilot operated check relief cartridge valves](#), [YF Direct operated relief cartridge valves](#), [Hydraulic accessories](#), [Six-circuit gauge isolator](#), [Pressure gauge isolator](#), [Hydraulic Pressure switch](#), [Pressure switch](#), [Piston type pressure switch](#), [Valve subplates](#), [Manifold bar](#),

Ningbo Hanshang Hydraulic Co.,Ltd.
Add: 118 Qiancheng Road, Zhenhai, Ningbo, Zhejiang Province
Contact: Sean Zhou
Tel: +86-574-86361025
Fax: +86-574-86361266
E-mail: sales@china-hydraulicvalves.com
WebSite: <http://www.hydraulicvalvesf.com>