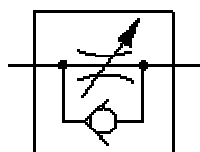


[China Throttle and throttle check valves, Manufacturer, Supplier, Factory, Exporter in china](#)



Symbol s:



Model MG

Model MK

Throttle and throttle check valves

Model FT-MG/MK series are throttle and throttle check valves used to restrict flow. The MG series is able to control the flow in either directions, the MK series is control the flow in one direction while permitting free flow in the opposite.

Characteristic:

- 1. For in-line mounting and interchangeable with other brand
- 2. One direction with leak-free closure.
- 3. Throttle and throttle check valve, optional

FT	-	MG	6	G	1.0	-			
----	---	----	---	---	-----	---	--	--	--

MG = Throttle valve
MK = Throttle check valve

6 = Size 6
8 = Size 8
10 = Size 10
15 = Size 15
20 = Size 20
25 = Size 25
30 = Size 30

G = In-line connection

Further details

No code = NBR seals for petroleum oils
V = FPM seals for phosphate ester

No code = Inch threads
2 = Metric threads

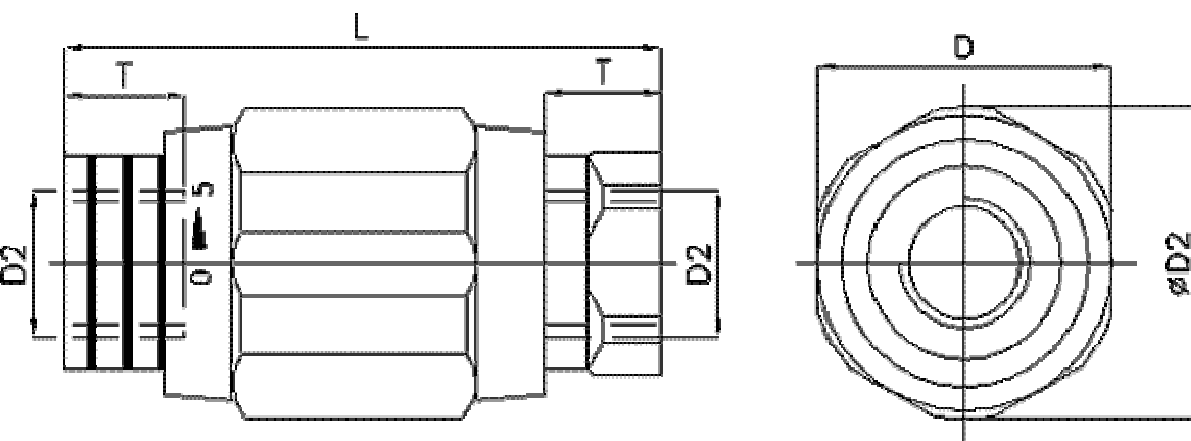
Please check the data below for thread type

Series no.

Technical data

General information							
Size	6	8	10	15	20	25	30
Inch thread	G1/4	G3/8	G1/2	G3/4	G1	G1 1/4	G1 1/2
Metric thread	M14X1.5	M18X1.5	M22X1.5	M27X1.5	M33X1.5	M42X1.5	M48X2
Flow rate (L/min.)	15	30	50	125	200	300	400
Operating pressure (bar)	315						
Cracking pressure of check valve (bar)	0.5						
Fluid viscosity (mm ² /s)	10-800						
Fluid Contamination	Recommend: A filter with a minimum filtrating rate of $\beta_{10} \geq 75$						

Model FT -- MG / MK dimensions for mounting



Size	D2 Metric (Inch)	T (mm)	L (mm)	D (mm)	D2 (mm)
6	M14X1.5 (G1/4)	12	65	32	34
8	M18X1.5 (G3/8)	12	65	36	38
10	M22X1.5 (G1/2)	14	80	46	48

15	M27X2 (G3/4)	16	100	55	58
20	M33X2 (G1)	18	110	70	72
25	M42X2 (G1 1/4)	20	130	85	87
30	M48X2 (G1 1/2)	22	150	90	93



[Throttle and throttle check valve](#)

[Directional spool valves](#), [Direct operated spool valve](#), [Hand level spool valve](#), [Solenoid controlled directional valve](#), [Hydraulic operation valve](#), [Solenoid operated directional spool valve](#), [Electrical operated directional valve](#), [Hydraulic Solenoid valve](#), [Solenoid controlled directional valve](#), [Electro-hydraulic operation valves](#), [Externally pilot operated valve](#), [Hydraulic directional control valve](#), [Hydraulic operation directional control valve](#), [Manually directional valves](#), [Mechanical operational valve](#), [Manually operational valve](#), [Directional valves pilot operated](#), [Solenoid operated directional poppet valve](#), [Poppet valve with solenoid operation](#), [Directional poppet valves](#), [Pressure control valves](#), [Pressure relief valves](#), [Pressure direct operated relief valve](#), [Pilot operated pressure relief valve](#), [Pressure relief cartridge valve](#), [Pressure reducing valves](#), [Pilot operated pressure reducing valve](#), [Pressure unloading valves](#), [Pressure relief cartridge valve](#), [Pilot operated pressure unloading valve](#), [Pressure sequence valves](#), [Pilot operated pressure sequence valve](#), [Direct operated pressure reducing valve](#), [Sandwich plate pressure relief valve](#), [Flow control valves](#), [Throttle and throttle check valves](#), [Throttle valves](#), [Throttle check valves](#), [Sandwich plate check valve](#), [One directional control valves](#), [Double throttle check valves](#), [Restrict flow valves](#), [Sandwich flow valves](#), [Pressure compensated valves](#), [Pressure compensated flow control valves](#), [Check valves](#), [Sandwich plate check valve](#), [Pilot operated check valve](#), [Check \(Non-return\) valves](#), [Hydraulic pilot operated check valve](#), [RVP series direct operated check valves](#), [Direct operated check valves](#), [Cartridge Valves](#), [Reverse check cartridge valves](#), [Hydraulic operated check cartridge valves](#), [Check cartridge valves](#), [Pilot operated check relief cartridge valves](#), [YF Direct operated relief cartridge valves](#), [Hydraulic accessories](#), [Six-circuit gauge isolator](#), [Pressure gauge isolator](#), [Hydraulic Pressure switch](#), [Pressure switch](#), [Piston type pressure switch](#), [Valve subplates](#), [Manifold bar](#).

Ningbo Hanshang Hydraulic Co., Ltd.

Add: 118 Qiancheng Road, Zhenhai, Ningbo, Zhejiang Province

Contact: Sean Zhou

Tel: 574-86361025

Fax: 574-86361266

E-mail: sales@china-hydraulicvalves.com

Website: <http://www.hydraulicvalvesf.com>