

# China Solenoid operated directional spool valve, Manufacturer, Supplier, Factory, Exporter in china

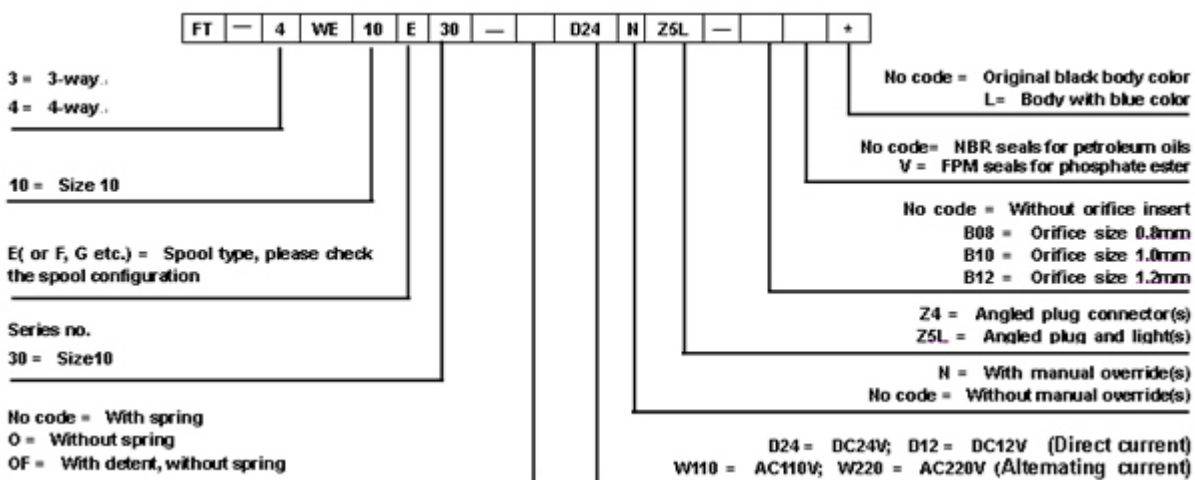


## Solenoid Operated Directional Spool Valves

Model FT-WE10 series are directional spool valves, they control the direction, start, stop of flow, with characteristic of low switching noise, great performance, easy coil connection and replacement and standard mounting.

### Characteristic:

1. 1. Standard subplate mounting allows 100% interchangeable with other brand directional valves.
2. 2. Minimum pressure loss, great operating performance.
3. 3. Plug-in coil for easy replacement with different voltage.



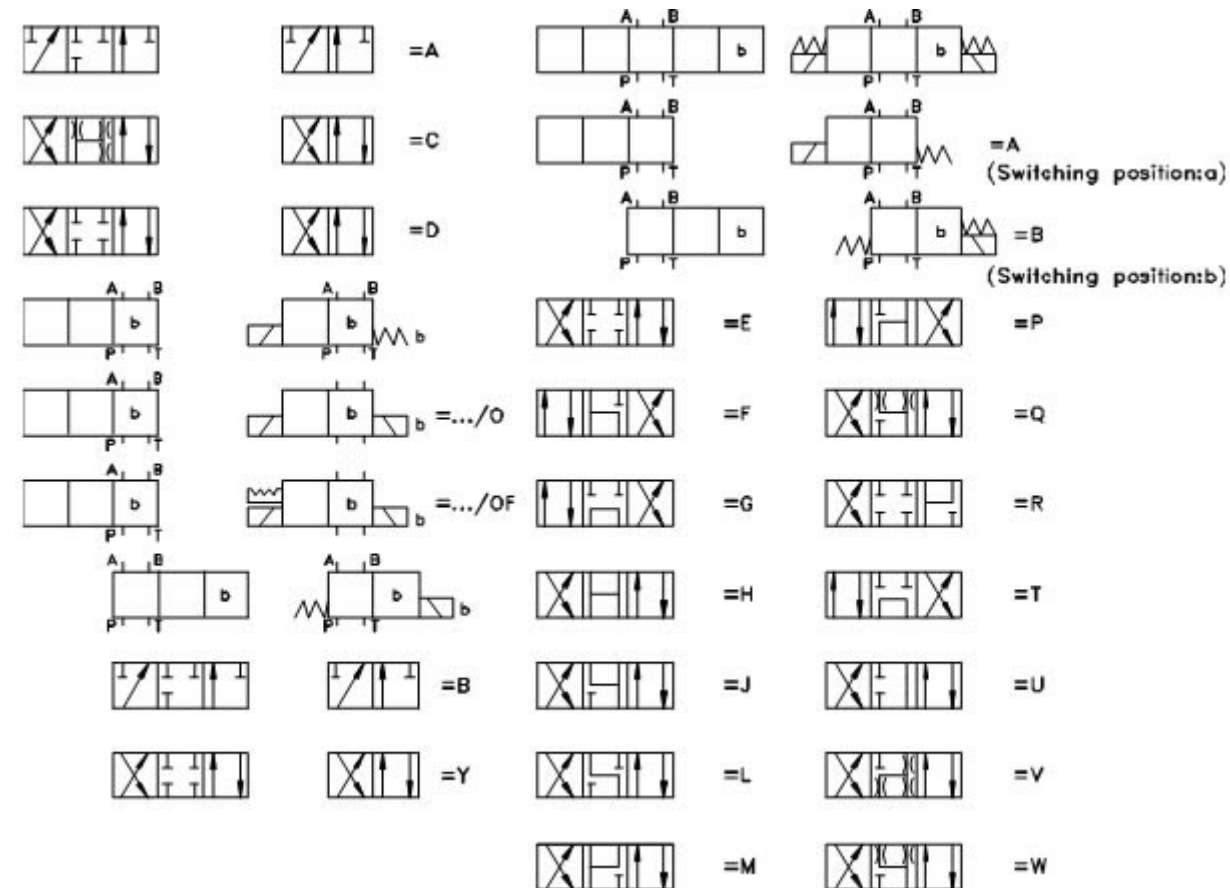
**EXPAND IMAGE**

### Technical data

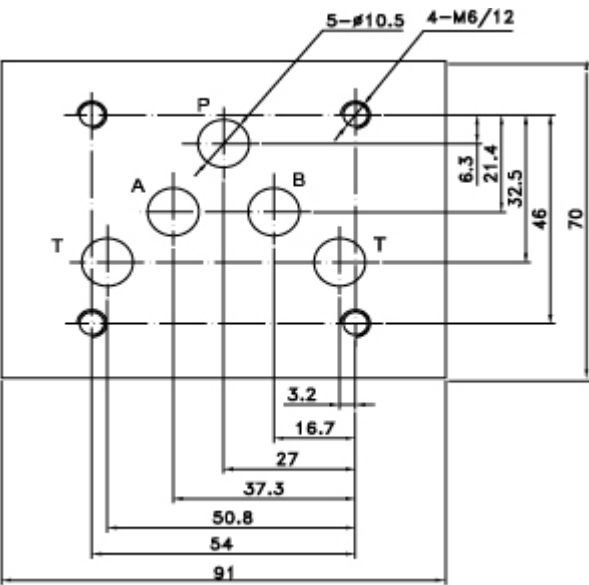
General information		
Size	10	
Max. Operating Pressure (bar)	A, B, P (Ports)	315
	T (T Port)	160
Max. Flow Rate (L/min)	~120	
Max. Environmental Temperature	50	

• C	
Available Voltage: DC	12, 24
Available Voltage: AC	110, 220 (50/60Hz) *The earth line must be connected
Fluid Contamination	Max. allowed degree of contamination is to NAS1638 Class9.Recommend: A filter with a minimum filtrating rate of B10 >=75

### Spool symbols



### Model FT "CWE 10 dimensions for mounting



Fixing screw:4-M6 (GB70-85)



[Solenoid Operated Directional Spool Valves-02](#)



[Solenoid Operated Directional Spool Valves-01](#)

[Directional spool valves](#), [Direct operated spool valve](#), [Hand level spool valve](#) , [Solenoid controlled directional valve](#) , [Hydraulic operation valve](#) , [Solenoid operated directional spool valve](#), [Electrical operated directional valve](#) , [Hydraulic Solenoid valve](#) , [Solenoid controlled directional valve](#) , [Electro-hydraulic operation valves](#), [Externally pilot operated valve](#) , [Hydraulic directional control valve](#), [Hydraulic operation directional control valve](#) , [Manually directional valves](#), [Mechanical operational valve](#) , [Manually operational valve](#), [Directional valves pilot operated](#) , [Solenoid operated directional poppet valve](#), [Poppet valve with solenoid operation](#) , [Directional poppet valves](#) , [Pressure control valves](#), [Pressure relief valves](#), [Pressure direct operated relief valve](#) , [Pilot operated pressure relief valve](#), [Pressure relief cartridge valve](#) , [Pressure reducing valves](#) , [Pilot operated pressure reducing valve](#), [Pressure unloading valves](#) , [Pressure relief cartridge valve](#), [Pilot operated pressure unloading valve](#), [Pressure sequence valves](#) , [Pilot operated pressure sequence valve](#), [Direct operated pressure reducing valve](#), [Sandwich plate pressure relief valve](#), [Flow control valves](#), [Throttle and throttle check valves](#), [Throttle valves](#) , [Throttle check valves](#), [Sandwich plate check valve](#) , [One directional control valves](#) , [Double throttle check valves](#), [Restrict flow valves](#), [Sandwich flow valves](#) , [Pressure compensated valves](#) , [Pressure compensated flow control valves](#) , [Check valves](#), [Sandwich plate check valve](#), [Pilot operated check valve](#), [Check\(Non-return\)valves](#), [Hydraulic pilot operated check valve](#), [RVP series direct operated check valves](#) , [Direct operated check valves](#), [Cartridge Valves](#), [Reverse check cartridge valves](#), [Hydraulic operated check cartridge valves](#), [Check cartridge valves](#), [Pilot operated check relief cartridge valves](#), [YF Direct operated relief cartridge valves](#), [Hydraulic accessories](#), [Six-circuit gauge isolator](#), [Pressure gauge isolator](#), [Hydraulic Pressure switch](#) , [Pressure switch](#), [Piston type pressure switch](#) , [Valve subplates](#), [Manifold bar](#),

---

Ningbo Hanshang Hydraulic Co.,Ltd.

Add: 118 Qiancheng Road, Zhenhai, Ningbo, Zhejiang Province

Contact: Sean Zhou

Tel: +86-574-86361025

Fax: +86-574-86361266

E-mail: [sales@china-hydraulicvalves.com](mailto:sales@china-hydraulicvalves.com)

WebSite: <http://www.hydraulicvalvesf.com>

---