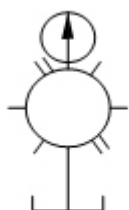




**Symbols:**

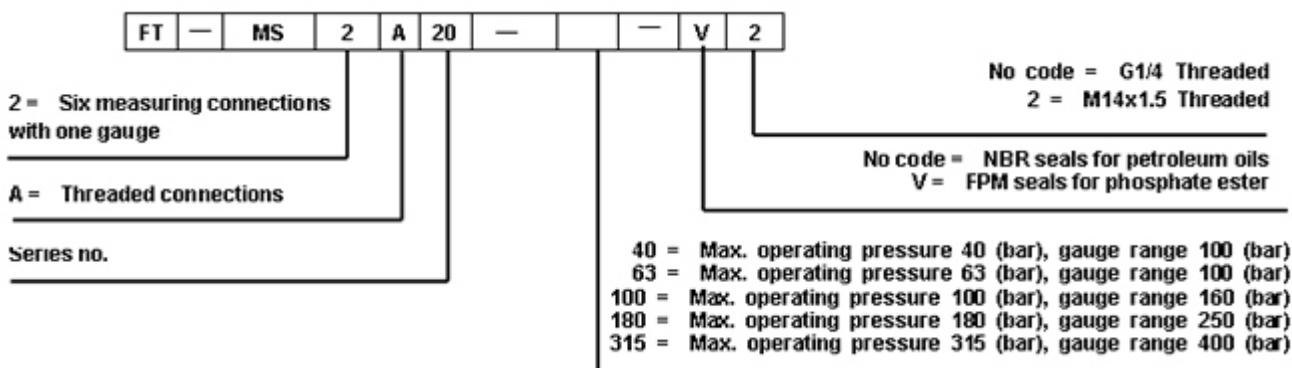


**Six-circuit gauge isolator**

Model FT- MS 2 series are six-circuit gauge isolator with rotary spool. It can measure the pressure by selecting the measuring point, within a hydraulic system through only one pressure gauge.

**Characteristic:**

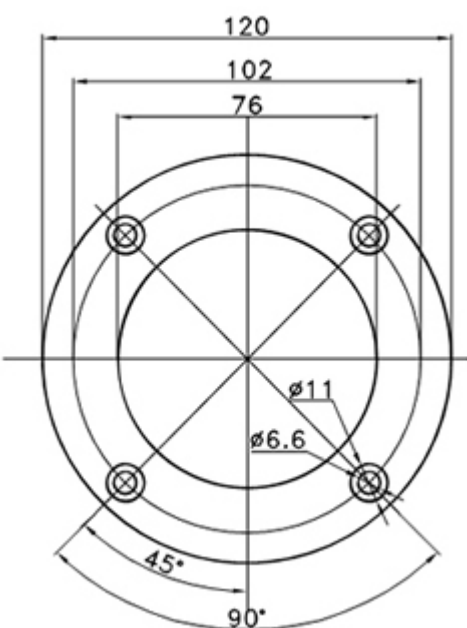
- 1. Flange mounting available.
- 2. Threaded connections of the valve housing.
- 3. Measuring connections around the housing..



## Technical data

General information	
Pressure gauge range (bar)	Up to 100, 160, 250, 400, optional
Max. back pressure in return line (bar)	10
Max. operating pressure (bar)	Up to 40, 63, 100, 180, 315 ( As per gauge range)

## Model FT °C MS 2 dimensions for mounting



[Six-circuit gauge isolator-pro](#)

[Directional spool valves](#), [Direct operated spool valve](#), [Hand level spool valve](#), [Solenoid controlled directional valve](#), [Hydraulic operation valve](#), [Solenoid operated directional spool valve](#), [Electrical operated directional valve](#), [Hydraulic Solenoid valve](#), [Solenoid controlled directional valve](#), [Electro-hydraulic operation valves](#), [Externally pilot operated valve](#), [Hydraulic directional](#)

[control valve](#), [Hydraulic operation directional control valve](#) , [Manually directional valves](#), [Mechanical operational valve](#) , [Manually operational valve](#), [Directional valves pilot operated](#) , [Solenoid operated directional poppet valve](#), [Poppet valve with solenoid operation](#) , [Directional poppet valves](#) , [Pressure control valves](#), [Pressure relief valves](#), [Pressure direct operated relief valve](#) , [Pilot operated pressure relief valve](#), [Pressure relief cartridge valve](#) , [Pressure reducing valves](#) , [Pilot operated pressure reducing valve](#), [Pressure unloading valves](#) , [Pressure relief cartridge valve](#), [Pilot operated pressure unloading valve](#), [Pressure sequence valves](#) , [Pilot operated pressure sequence valve](#), [Direct operated pressure reducing valve](#), [Sandwich plate pressure relief valve](#), [Flow control valves](#), [Throttle and throttle check valves](#), [Throttle valves](#) , [Throttle check valves](#), [Sandwich plate check valve](#) , [One directional control valves](#) , [Double throttle check valves](#), [Restrict flow valves](#), [Sandwich flow valves](#) , [Pressure compensated valves](#) , [Pressure compensated flow control valves](#) , [Check valves](#), [Sandwich plate check valve](#), [Pilot operated check valve](#), [Check\(Non-return\)valves](#), [Hydraulic pilot operated check valve](#), [RVP series direct operated check valves](#) , [Direct operated check valves](#), [Cartridge Valves](#), [Reverse check cartridge valves](#), [Hydraulic operated check cartridge valves](#), [Check cartridge valves](#), [Pilot operated check relief cartridge valves](#), [YF Direct operated relief cartridge valves](#), [Hydraulic accessories](#), [Six-circuit gauge isolator](#), [Pressure gauge isolator](#), [Hydraulic Pressure switch](#) , [Pressure switch](#), [Piston type pressure switch](#) , [Valve subplates](#), [Manifold bar](#),

---

Ningbo Hanshang Hydraulic Co.,Ltd.

Add: 118 Qiancheng Road, Zhenhai, Ningbo, Zhejiang Province

Contact: Sean Zhou

Tel: +86-574-86361025

Fax: +86-574-86361266

E-mail: [sales@china-hydraulicvalves.com](mailto:sales@china-hydraulicvalves.com)

WebSite: <http://www.hydraulicvalvesf.com>

---