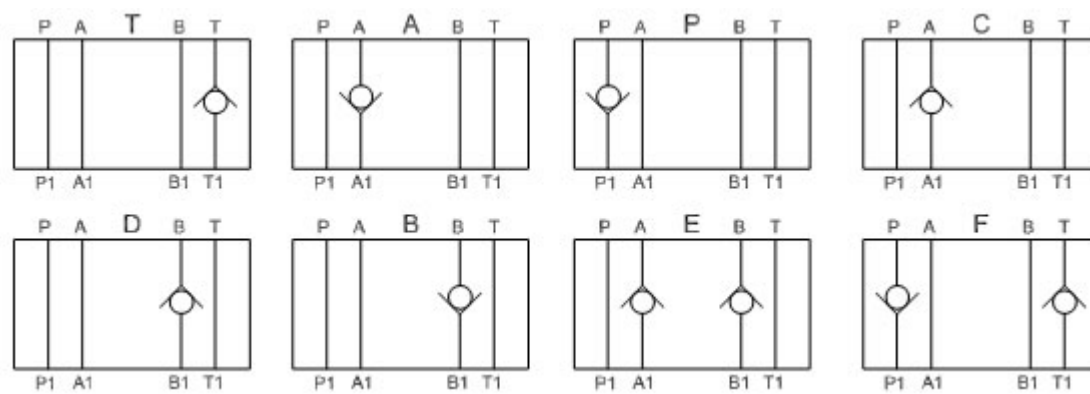


# China Sandwich plate check valve, Manufacturer, Supplier, Factory, Exporter in china



## Symbols:



## Sandwich plate check valve

Model FT-Z1S series are direct operated check valves by a sandwich plate mounting..

## Characteristic:

- 1. One or two service ports for leak free closure, optional.
- 2. Eight check variations..
- 3. Different cracking pressures as required.

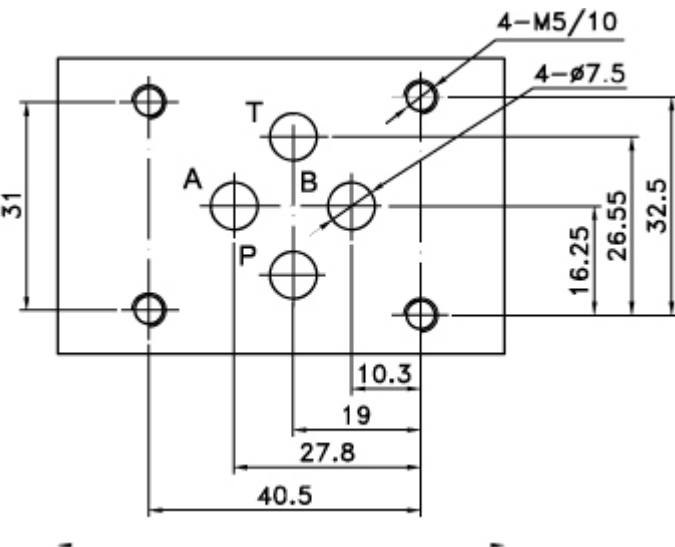
FT	-	Z1S	6	1	-	30	-	V	L
----	---	-----	---	---	---	----	---	---	---

<p>6 = Size 6 10 = Size 10</p> <p><b>Leak free closure</b>  A = A (A + A1)  B = B (B + B1)  C = A (A1 + A)  D = B (B1 + B)  E = A &amp; B (A1 + A) &amp; (B1 + B)  F = P &amp; T (P + P1) &amp; (TA1 + TA)  P = P (P1 + P)  T = T (TA1 + TA)</p>	<p>1 = Cracking pressure 0.5 (Bar)  2 = Cracking pressure 3 (Bar)  3 = Cracking pressure 5 (Bar)</p>	<p>No code = Original black body color  L = Body with blue color</p> <p>No code = NBR seals for petroleum oils  V = FPM seals for phosphate ester</p>	<p>Series no.</p>
--	--	---	-------------------

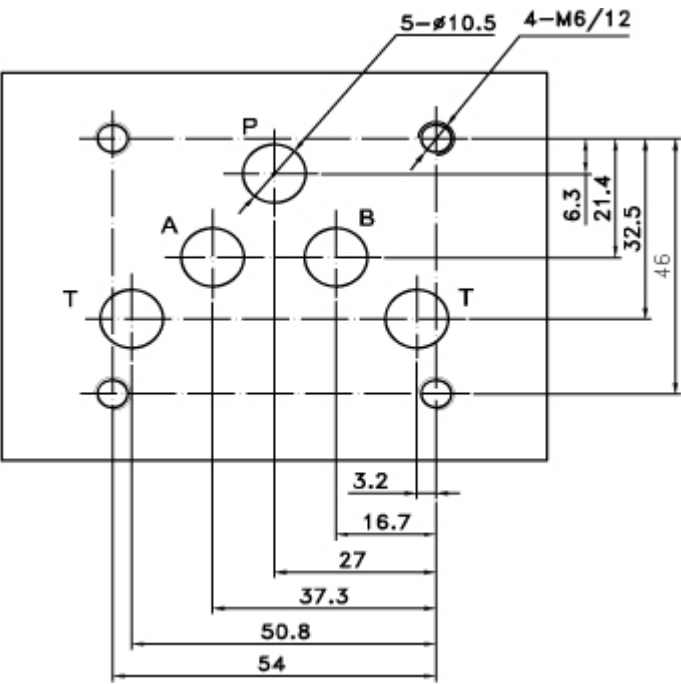
General information						
Size	6			10		
Cracking pressure (bar)	0.5	3	5	0.5	3	5
Flow rate (L/min)	40			100		
Fluid Temperature for NBR seal • C	-20~70					
Max. Operating Pressure (bar)	Petroleum oils					

**Technical data**

**Model FT -- Z1S 6 dimensions for mounting**



**Model FT --Z1S 10 dimensions for mounting**



[Sandwich plate check valves](#)

[Directional spool valves](#), [Direct operated spool valve](#), [Hand level spool valve](#), [Solenoid controlled directional valve](#), [Hydraulic operation valve](#), [Solenoid operated directional spool valve](#), [Electrical operated directional valve](#), [Hydraulic Solenoid valve](#), [Solenoid controlled directional valve](#), [Electro-hydraulic operation valves](#), [Externally pilot operated valve](#), [Hydraulic directional control valve](#), [Hydraulic operation directional control valve](#), [Manually directional valves](#), [Mechanical operational valve](#), [Manually operational valve](#), [Directional valves pilot operated](#), [Solenoid operated directional poppet valve](#), [Poppet valve with solenoid operation](#), [Directional poppet valves](#), [Pressure control valves](#), [Pressure relief valves](#), [Pressure direct operated relief valve](#), [Pilot operated pressure relief valve](#), [Pressure relief cartridge valve](#), [Pressure reducing valves](#), [Pilot operated pressure reducing valve](#), [Pressure unloading valves](#), [Pressure relief cartridge valve](#), [Pilot operated pressure unloading valve](#), [Pressure sequence valves](#), [Pilot operated pressure sequence valve](#), [Direct operated pressure reducing valve](#), [Sandwich plate pressure relief valve](#), [Flow control valves](#), [Throttle and throttle check valves](#), [Throttle valves](#), [Throttle check valves](#), [Sandwich plate check valve](#), [One directional control valves](#), [Double throttle check valves](#), [Restrict flow valves](#), [Sandwich flow valves](#), [Pressure compensated valves](#), [Pressure compensated flow control valves](#), [Check valves](#), [Sandwich plate check valve](#), [Pilot operated check valve](#), [Check \(Non-return\) valves](#), [Hydraulic pilot](#)

[operated check valve](#), [RVP series direct operated check valves](#) , [Direct operated check valves](#), [Cartridge Valves](#), [Reverse check cartridge valves](#), [Hydraulic operated check cartridge valves](#), [Check cartridge valves](#), [Pilot operated check relief cartridge valves](#), [YF Direct operated relief cartridge valves](#), [Hydraulic accessories](#), [Six-circuit gauge isolator](#), [Pressure gauge isolator](#), [Hydraulic Pressure switch](#) , [Pressure switch](#), [Piston type pressure switch](#) , [Valve subplates](#), [Manifold bar](#),

---

Ningbo Hanshang Hydraulic Co.,Ltd.

Add: 118 Qiancheng Road, Zhenhai, Ningbo, Zhejiang Province

Contact: Sean Zhou

Tel: +86-574-86361025

Fax: +86-574-86361266

E-mail: [sales@china-hydraulicvalves.com](mailto:sales@china-hydraulicvalves.com)

WebSite: <http://www.hydraulicvalvesf.com>

---