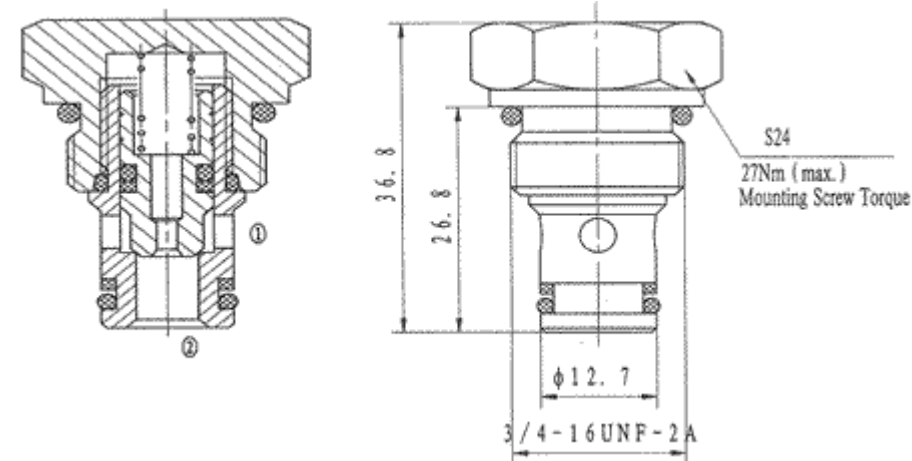


[China Reverse check cartridge valves, Manufacturer, Supplier, Factory, Exporter in china](#)

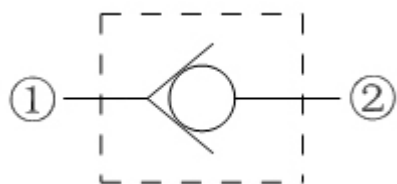


**Cartridge reverse check valves**

**Model FT-FDF06-00-00**



**Symbol:**



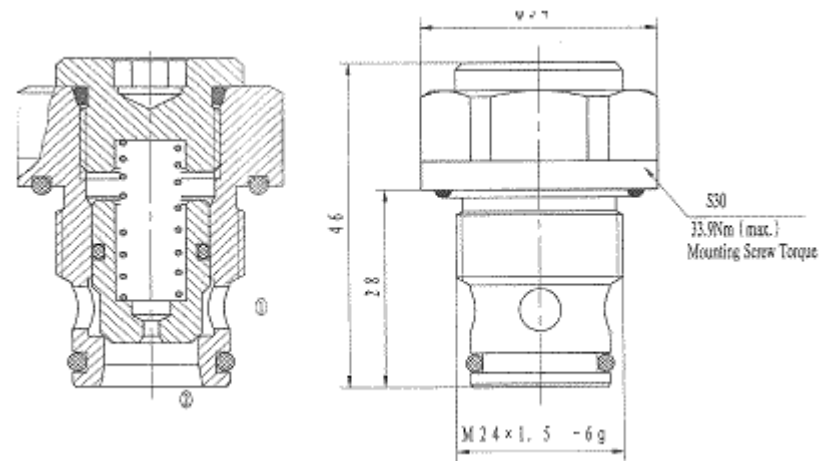
**Characteristic:**

1. 1. Sensitive response to different pressure
2. 2. Industry common cavity
3. 3. Compact design for easy assembly
4. 4. Long life performance service

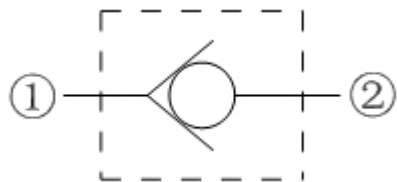
**Technical data**

General information	
Max. Operating Pressure	315





**Symbol:**



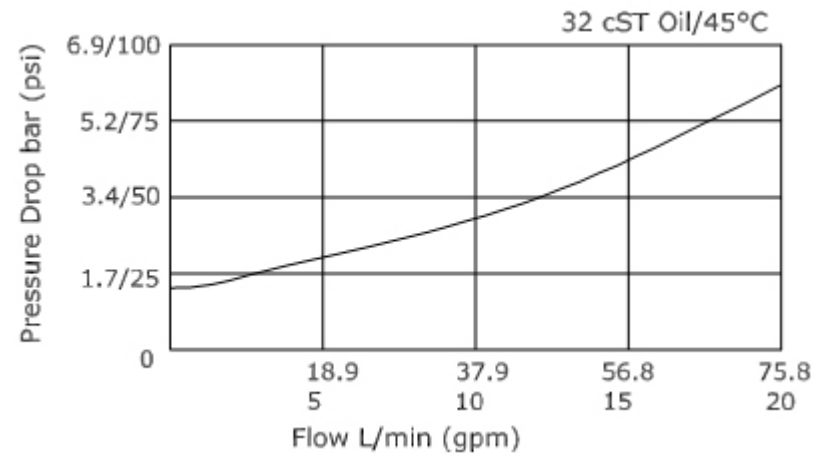
**Characteristic:**

1. 1. Sensitive response to different pressure
2. 2. Industry common cavity
3. 3. Compact design for easy assembly
4. 4. Long life performance service

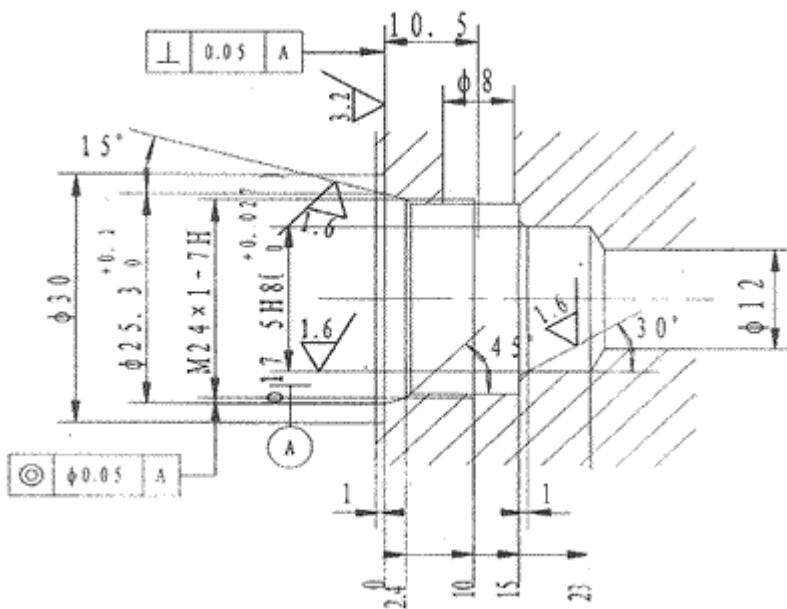
**Technical data**

<b>General information</b>	
<b>Max. Operating Pressure (bar)</b>	315
<b>Flow Rate (L/min)</b>	See flow rate curve
<b>Cracking pressure (bar)</b>	0.25 / 0.5 / 1
<b>Internal leakage</b>	≤5drops/min.
<b>Fluid Contamination</b>	Recommend: ISO 19/15
<b>Fluid</b>	Mineral oil or consult us for other fluids
<b>Temperature • C</b>	-30~+110 (86OF~230 OF)

**Model FT-FDF10-00-00 Flow rate curve**



**Model FT-FDF10-00-00 Cavity dimensions**



[Directional spool valves](#), [Direct operated spool valve](#), [Hand level spool valve](#), [Solenoid controlled directional valve](#), [Hydraulic operation valve](#), [Solenoid operated directional spool valve](#), [Electrical operated directional valve](#), [Hydraulic Solenoid valve](#), [Solenoid controlled directional valve](#), [Electro-hydraulic operation valves](#), [Externally pilot operated valve](#), [Hydraulic directional control valve](#), [Hydraulic operation directional control valve](#), [Manually directional valves](#), [Mechanical operational valve](#), [Manually operational valve](#), [Directional valves pilot operated](#), [Solenoid operated directional poppet valve](#), [Poppet valve with solenoid operation](#), [Directional poppet valves](#), [Pressure control valves](#), [Pressure relief valves](#), [Pressure direct operated relief valve](#), [Pilot operated pressure relief valve](#), [Pressure relief cartridge valve](#), [Pressure reducing valves](#), [Pilot operated pressure reducing valve](#), [Pressure unloading valves](#), [Pressure relief cartridge valve](#), [Pilot operated pressure unloading valve](#), [Pressure sequence valves](#), [Pilot operated pressure sequence valve](#), [Direct operated pressure reducing valve](#), [Sandwich plate pressure relief valve](#), [Flow control valves](#), [Throttle and throttle check valves](#), [Throttle valves](#), [Throttle check valves](#), [Sandwich plate check valve](#), [One directional control valves](#), [Double throttle check valves](#), [Restrict flow valves](#), [Sandwich flow valves](#), [Pressure compensated valves](#), [Pressure compensated flow control valves](#), [Check valves](#), [Sandwich plate check valve](#), [Pilot operated check valve](#), [Check \(Non-return\) valves](#), [Hydraulic pilot operated check valve](#), [RVP series direct operated check valves](#), [Direct operated check valves](#), [Cartridge](#)

[Valves](#), [Reverse check cartridge valves](#), [Hydraulic operated check cartridge valves](#), [Check cartridge valves](#), [Pilot operated check relief cartridge valves](#), [YF Direct operated relief cartridge valves](#), [Hydraulic accessories](#), [Six-circuit gauge isolator](#), [Pressure gauge isolator](#), [Hydraulic Pressure switch](#) , [Pressure switch](#), [Piston type pressure switch](#) , [Valve subplates](#), [Manifold bar](#),

---

Ningbo Hanshang Hydraulic Co.,Ltd.

Add: 118 Qiancheng Road, Zhenhai, Ningbo, Zhejiang Province

Contact: Sean Zhou

Tel: +86-574-86361025

Fax: +86-574-86361266

E-mail: [sales@china-hydraulicvalves.com](mailto:sales@china-hydraulicvalves.com)

WebSite: <http://www.hydraulicvalvesf.com>

---