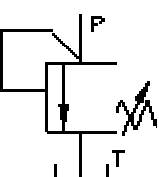


[China Pressure relief valves, Manufacturer, Supplier, Factory, Exporter in china](#)



Symbols:

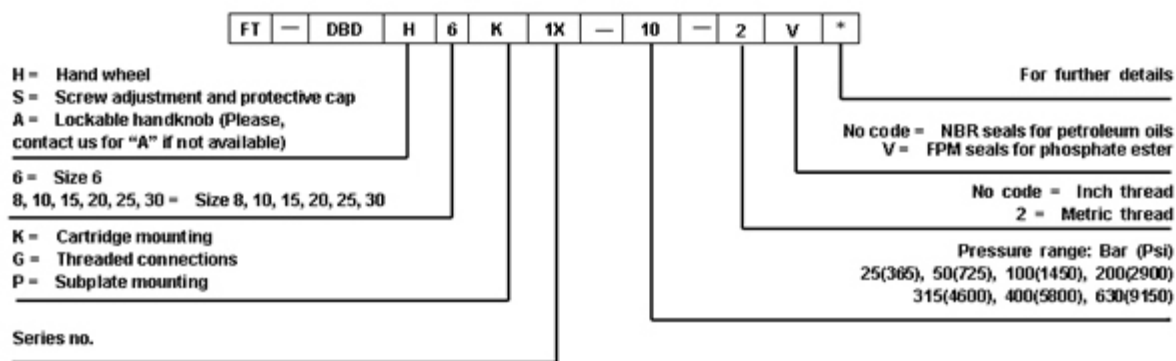


- Pressure relief valves

Model FT-DBD series are direct operated poppet valves, it is used to limit the main system pressure, with characteristics of fast response.

Characteristic:

- 1. Different mounting styles, screw-in threaded and subplate mounting, optional.
- 2. Handwheel adjustment style available..
- 3. Seven pressure adjustment ranges .

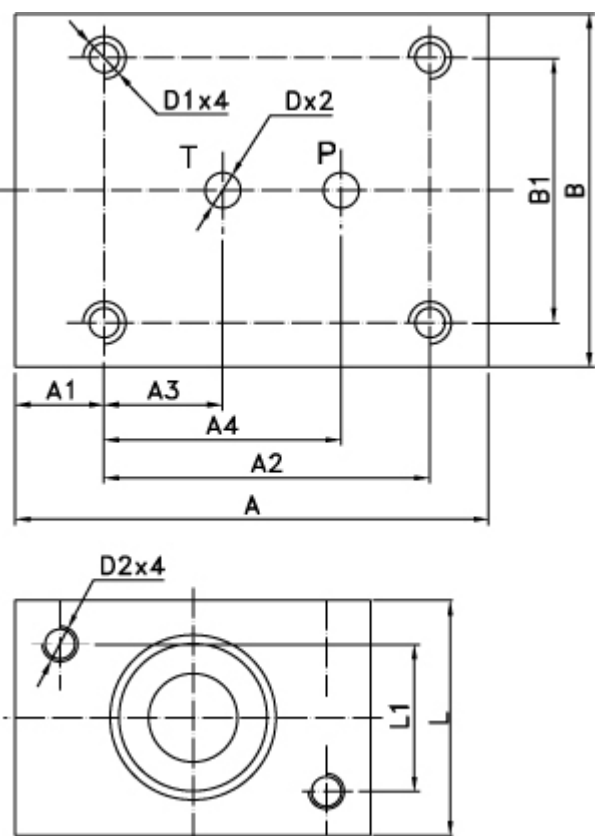


Technical data

General information							
Size	6	8	10	15	20	25	30
Max. Operating Pressure (bar)	315						

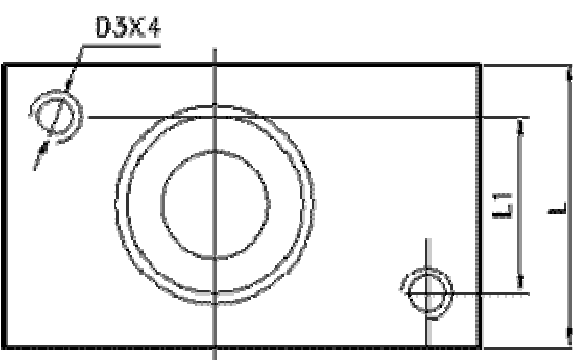
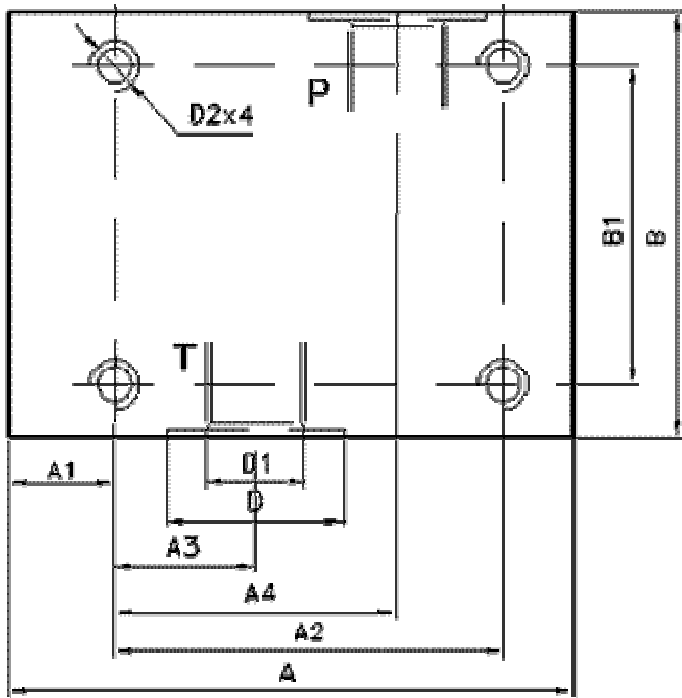
Max. Flow Rate (L/min)	35	60	80	150	200	250	300
Fluid Temperature for NBR seal •C	-18~75						
Fluid	Petroleum oils						

Model FT -- DBD... P subplate for mounting



Mounting data											
Size	B	B1	L	L1	A	A1	A2	A3	A4	D1	D2
6	60	45	45	25	80	15	55	20	40	M6	M6
(8) 10	80	60	60	40	100	20	70	21	49	M8	M8
(15) 20	100	70	70	50	135	20	100	34	65	M8	M8
(25) 30	130	100	90	60	180	25	130	35	85	M10	M10

Model FT -- DBD... G threaded connections for mounting



Mounting data

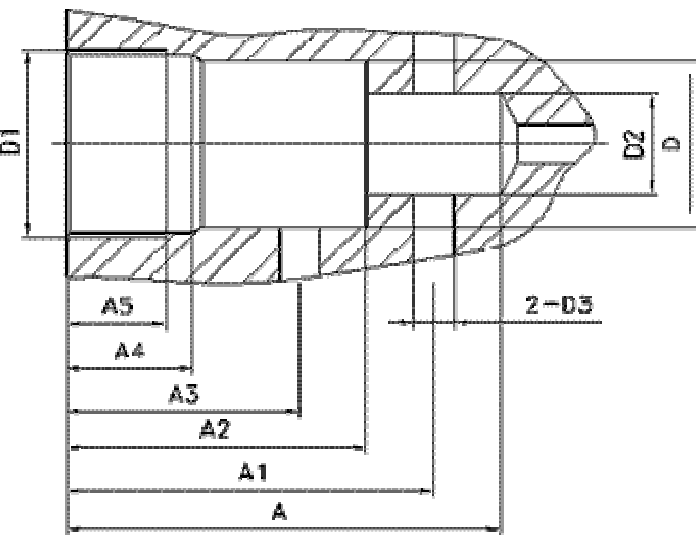
Size	B	B1	L	L1	A	A1	A2	A3	A4
6	60	45	45	25	80	15	55	20	40
(8) 10	80	60	60	40	100	20	70	21	49
(15) 20	100	70	70	50	135	20	100	34	65
(25) 30	130	100	90	60	180	25	130	35	85

D1		D	D2	D3
Inch (BSP)	Metric			
G 1/4"	M15*1.5	25	M6	M6
(G 3/8") G1/2"	(M18*1.5) M22*1.5	(28) 34	M8	M8
(G 3/4") G1"	(M27*2) M33*2	(42) 47	M8	M8
(G1 1/4" G1/2"	(M42*2) M48*2	(56) 61	M10	M10

Model FT -- DBD... K cartridge for mounting

Size	D1	D	D2	D3	A	A1	A2	A3	A4	A5
------	----	---	----	----	---	----	----	----	----	----

6	M28*1.5	25H8	15	6	65	56.5+-5.5	45	35	19	15
10	M35*1.5	32H8	18.5	10	80	67.5+-7.5	52	41	23	18
20	M45*1.5	40H8	24	20	110	91.5+-8.5	70	54	27	21
30	M60*2	55H8	38.75	30	140	113.5+-11.5	84	60	29	23



[Pressure relief cartridge valve](#)



[Pressure relief valves-pro](#)

[Directional spool valves](#), [Direct operated spool valve](#), [Hand level spool valve](#), [Solenoid controlled directional valve](#), [Hydraulic operation valve](#), [Solenoid operated directional spool valve](#), [Electrical operated directional valve](#), [Hydraulic Solenoid valve](#), [Solenoid controlled directional valve](#), [Electro-hydraulic operation valves](#), [Externally pilot operated valve](#), [Hydraulic directional control valve](#), [Hydraulic operation directional control valve](#), [Manually directional valves](#), [Mechanical operational valve](#), [Manually operational valve](#), [Directional valves pilot operated](#), [Solenoid operated directional poppet valve](#), [Poppet valve with solenoid operation](#), [Directional poppet valves](#), [Pressure control valves](#), [Pressure relief valves](#), [Pressure direct operated relief valve](#), [Pilot operated pressure relief valve](#), [Pressure relief cartridge valve](#), [Pressure reducing valves](#), [Pilot operated pressure reducing valve](#), [Pressure unloading valves](#), [Pressure relief cartridge valve](#), [Pilot operated pressure unloading valve](#), [Pressure sequence valves](#), [Pilot operated pressure sequence valve](#), [Direct operated pressure reducing valve](#), [Sandwich plate pressure relief valve](#), [Flow control valves](#), [Throttle and throttle check valves](#), [Throttle valves](#), [Throttle check valves](#), [Sandwich plate check valve](#), [One directional control valves](#), [Double throttle check valves](#), [Restrict flow valves](#), [Sandwich flow valves](#), [Pressure compensated valves](#), [Pressure compensated flow control valves](#), [Check valves](#), [Sandwich plate check valve](#), [Pilot operated check valve](#), [Check \(Non-return\) valves](#), [Hydraulic pilot operated check valve](#), [RVP series direct operated check valves](#), [Direct operated check valves](#), [Cartridge Valves](#), [Reverse check cartridge valves](#), [Hydraulic operated check cartridge valves](#), [Check cartridge valves](#), [Pilot operated check relief cartridge valves](#), [YF Direct operated relief cartridge valves](#), [Hydraulic accessories](#), [Six-circuit gauge isolator](#), [Pressure gauge isolator](#), [Hydraulic Pressure switch](#), [Pressure switch](#), [Piston type pressure switch](#), [Valve subplates](#), [Manifold bar](#),

Ningbo Hanshang Hydraulic Co.,Ltd.
Add: 118 Qiancheng Road, Zhenhai, Ningbo, Zhejiang Province
Contact: Sean Zhou
Tel: +86-574-86361025
Fax: +86-574-86361266
E-mail: sales@china-hydraulicvalves.com
WebSite: <http://www.hydraulicvalvesf.com>