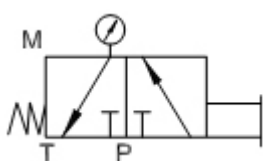


China Pressure gauge isolator, Manufacturer, Supplier, Factory, Exporter in china



Symbols:

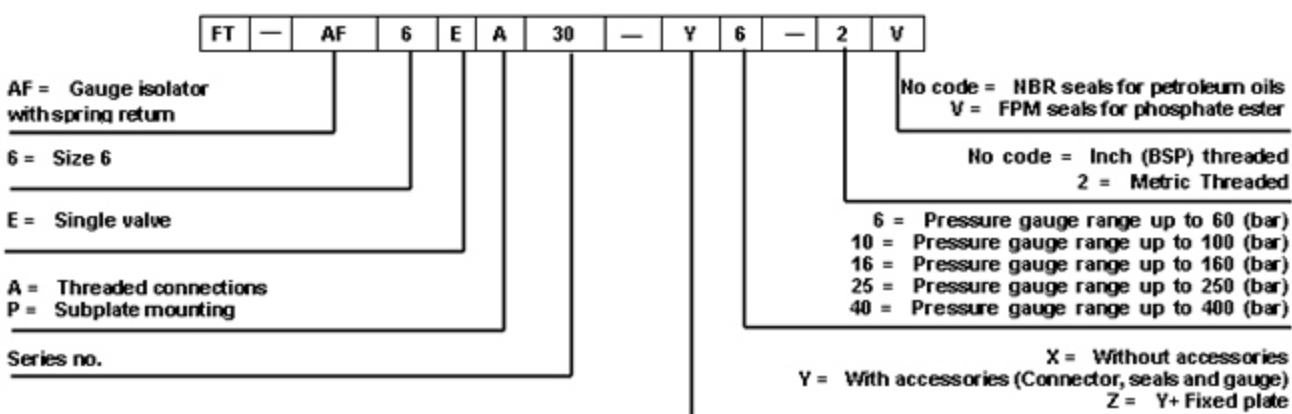


Pressure gauge isolator

Model FT- AF 6 series are 3 way spool valve with manual operation, which use to check the system operating pressure occasionally.

Characteristic:

- 1. Subplate or threaded mounting, optional.
- 2. Manual button operation.



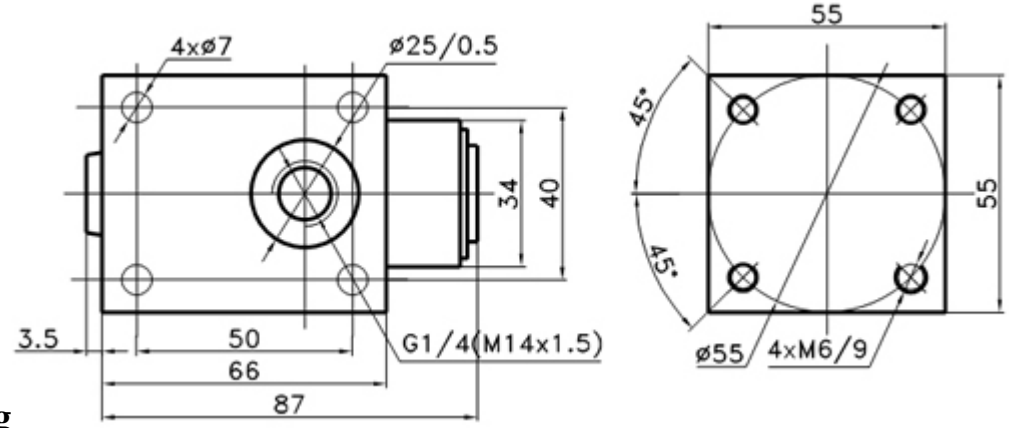
[EXPAND IMAGE](#)

Technical data

General information

Pressure gauge range (bar)	Up to 60, 100, 160, 250, 400
Max. operating pressure (bar)	Up to 30
Fluid Temperature for NBR seal (°C)	-20~+80
Fluid Contamination	Max. allowed degree of contamination is to NAS1638 Class9. Recommend: A filter with a minimum filtering rate of $\beta_{10} \geq 75$

Model FT -- AF 6 dimensions for



mounting



[Pressure gauge isolator-pro](#)

[Directional spool valves](#), [Direct operated spool valve](#), [Hand level spool valve](#), [Solenoid controlled directional valve](#), [Hydraulic operation valve](#), [Solenoid operated directional spool valve](#), [Electrical operated directional valve](#), [Hydraulic Solenoid valve](#), [Solenoid controlled directional valve](#), [Electro-hydraulic operation valves](#), [Externally pilot operated valve](#), [Hydraulic directional control valve](#), [Hydraulic operation directional control valve](#), [Manually directional valves](#), [Mechanical operational valve](#), [Manually operational valve](#), [Directional valves pilot operated](#), [Solenoid operated directional poppet valve](#), [Poppet valve with solenoid operation](#), [Directional poppet valves](#), [Pressure control valves](#), [Pressure relief valves](#), [Pressure direct operated relief valve](#), [Pilot operated pressure relief valve](#), [Pressure relief cartridge valve](#), [Pressure reducing valves](#), [Pilot operated pressure reducing valve](#), [Pressure unloading valves](#), [Pressure relief](#)

[cartridge valve](#), [Pilot operated pressure unloading valve](#), [Pressure sequence valves](#) , [Pilot operated pressure sequence valve](#), [Direct operated pressure reducing valve](#), [Sandwich plate pressure relief valve](#), **[Flow control valves](#)**, [Throttle and throttle check valves](#), [Throttle valves](#) , [Throttle check valves](#), [Sandwich plate check valve](#) , [One directional control valves](#) , [Double throttle check valves](#), [Restrict flow valves](#), [Sandwich flow valves](#) , [Pressure compensated valves](#) , [Pressure compensated flow control valves](#) , **[Check valves](#)**, [Sandwich plate check valve](#), [Pilot operated check valve](#), [Check\(Non-return\)valves](#), [Hydraulic pilot operated check valve](#), [RVP series direct operated check valves](#) , [Direct operated check valves](#), **[Cartridge Valves](#)**, [Reverse check cartridge valves](#), [Hydraulic operated check cartridge valves](#), [Check cartridge valves](#), [Pilot operated check relief cartridge valves](#), [YF Direct operated relief cartridge valves](#), **[Hydraulic accessories](#)**, [Six-circuit gauge isolator](#), [Pressure gauge isolator](#), [Hydraulic Pressure switch](#) , [Pressure switch](#), [Piston type pressure switch](#) , [Valve subplates](#), [Manifold bar](#),

Ningbo Hanshang Hydraulic Co.,Ltd.

Add: 118 Qiancheng Road, Zhenhai, Ningbo, Zhejiang Province

Contact: Sean Zhou

Tel: +86-574-86361025

Fax: +86-574-86361266

E-mail: sales@china-hydraulicvalves.com

WebSite: <http://www.hydraulicvalvesf.com>
