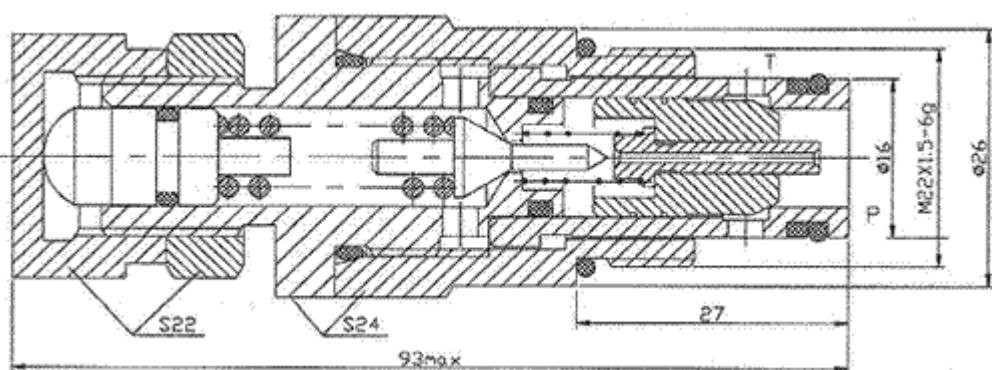


[China Pilot operated check relief cartridge valves, Manufacturer, Supplier, Factory, Exporter in china](#)

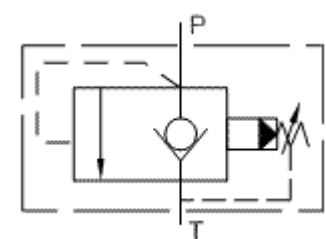


Pilot operated check relief cartridge valves

Model FT-XDYF15-01-00



Symbol:



Characteristic:

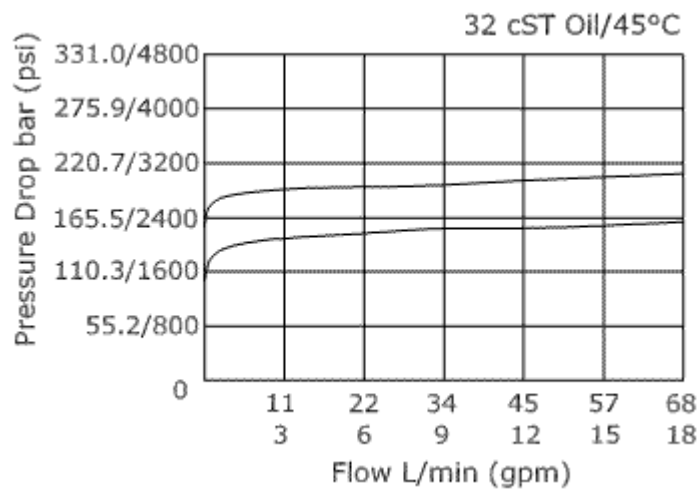
- 1. Sensitive response to different pressure
- 2. Industry common cavity
- 3. Compact design for easy assembly
- 4. Long life performance service

Technical data

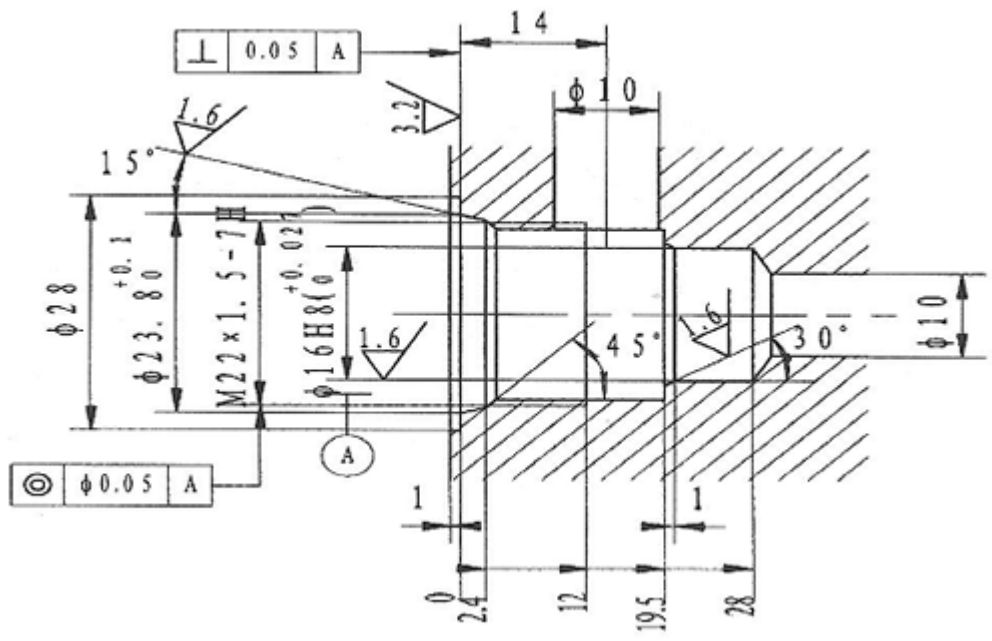
General information	
Max. Operating Pressure (bar)	315
Flow Rate (L/min)	See flow rate curve

Adjustable range (bar)	1~300
Standard presetting pressure (bar)	160
Reverse cracking pressure (bar)	1.5
Internal leakage	<=30ml/min (~85% Setting pressure)
Fluid Contamination	Recommend: ISO 19/15
Fluid	Mineral oil or consult us for other fluids
Temperature • C	-30~+110 (86OF~230 OF)

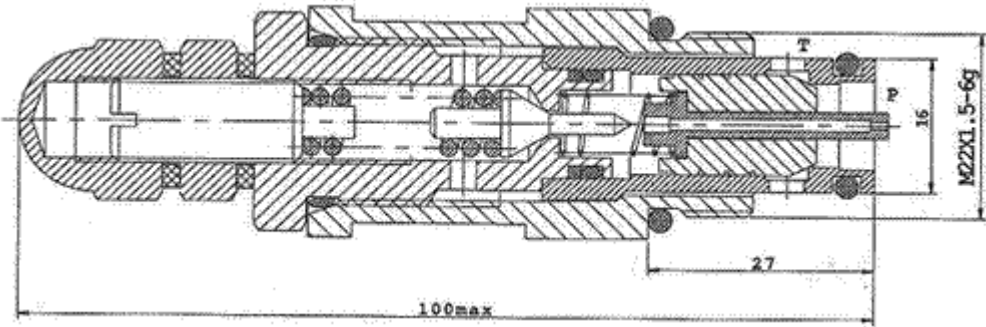
Model FT-XDYF15-01-00 Flow rate curve



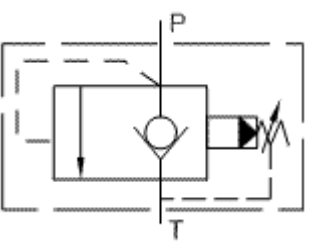
Model FT- XDYF15-01-00 Cavity dimensions



Model FT-XDYF15-02-00



Symbol:



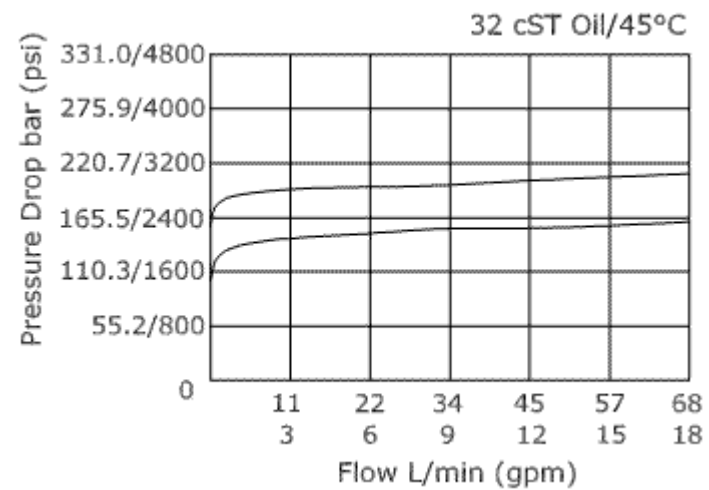
Characteristic:

- 1. Sensitive response to different pressure
- 2. Industry common cavity
- 3. Compact design for easy assembly
- 4. Long life performance service

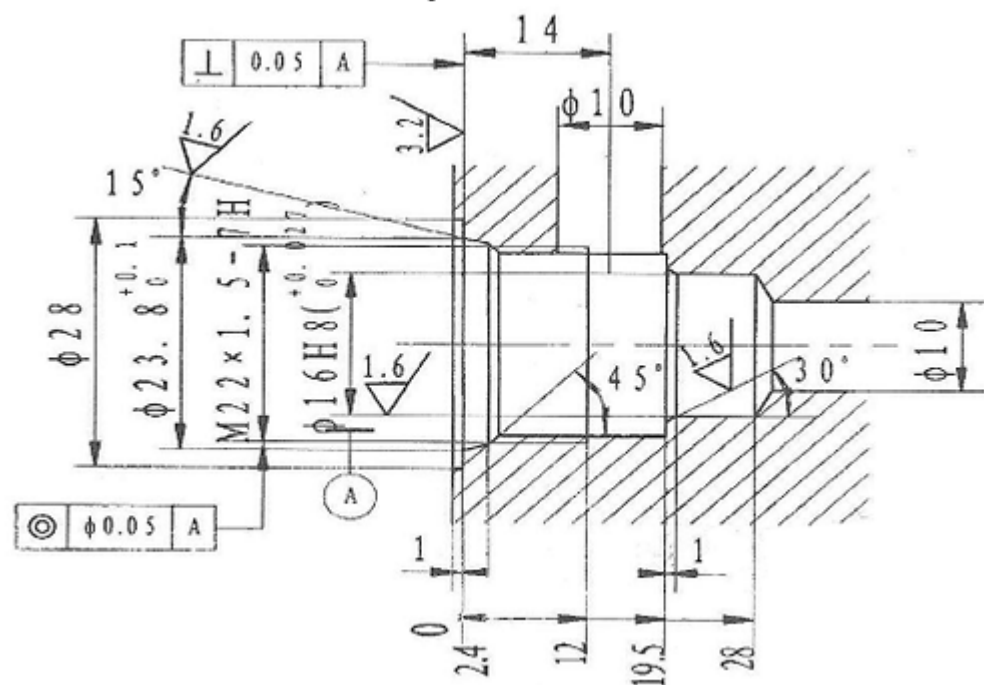
Technical data

General information	
Max. Operating Pressure (bar)	315
Flow Rate (L/min)	See flow rate curve
Adjustable range (bar)	1~300
Standard presetting pressure (bar)	160
Reverse cracking pressure (bar)	1.5
Internal leakage	<=30ml/min (~85% Setting pressure)
Fluid Contamination	Recommend: ISO 19/15
Fluid	Mineral oil or consult us for other fluids
Temperature • C	-30~+110 (86OF~230 OF)

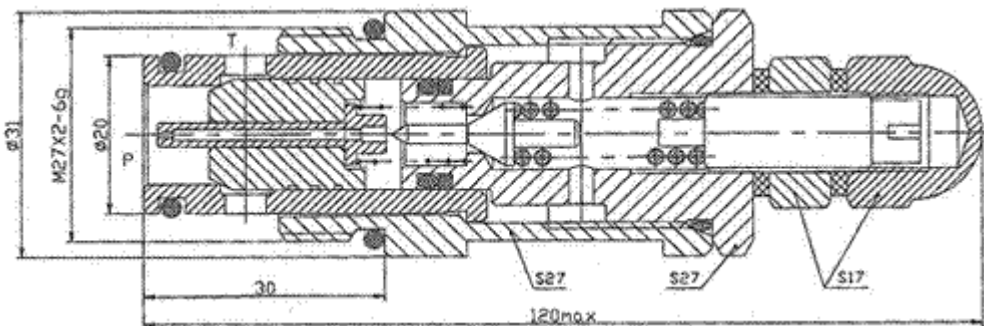
Model FT-XDYF15-01-00 Flow rate curve



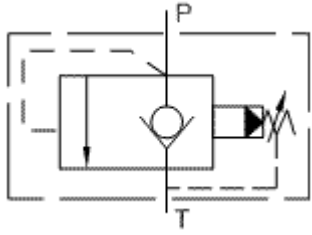
Model FT- XDYF15-02-00 Cavity dimensions



Model FT- XDYF20-00-00



Symbol:



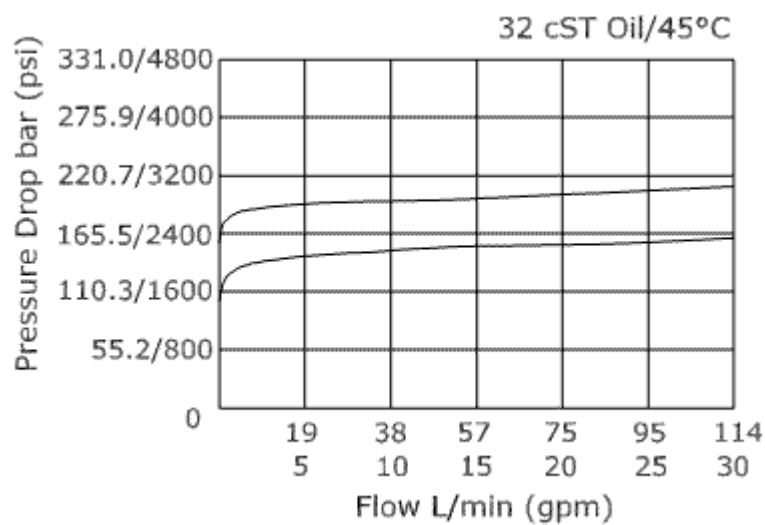
Characteristic:

- 1. Sensitive response to different pressure
- 2. Industry common cavity
- 3. Compact design for easy assembly
- 4. Long life performance service

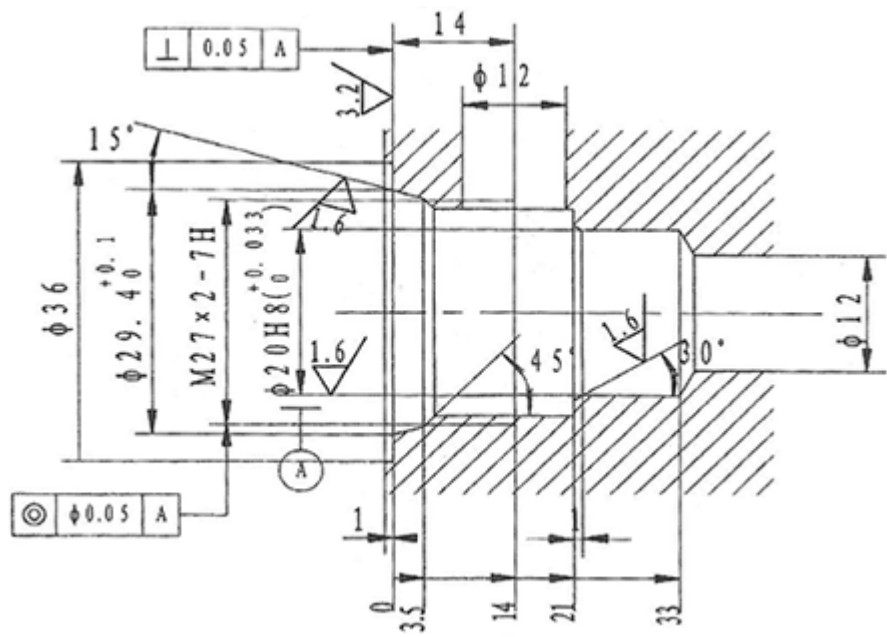
Technical data

General information	
Max. Operating Pressure (bar)	315
Flow Rate (L/min)	See flow rate curve
Adjustable range (bar)	1~300
Standard presetting pressure (bar)	160
Reverse cracking pressure (bar)	1.5
Internal leakage	<=30ml/min (~85% Setting pressure)
Fluid Contamination	Recommend: ISO 19/15
Fluid	Mineral oil or consult us for other fluids
Temperature • C	-30~+110 (86OF~230 OF)

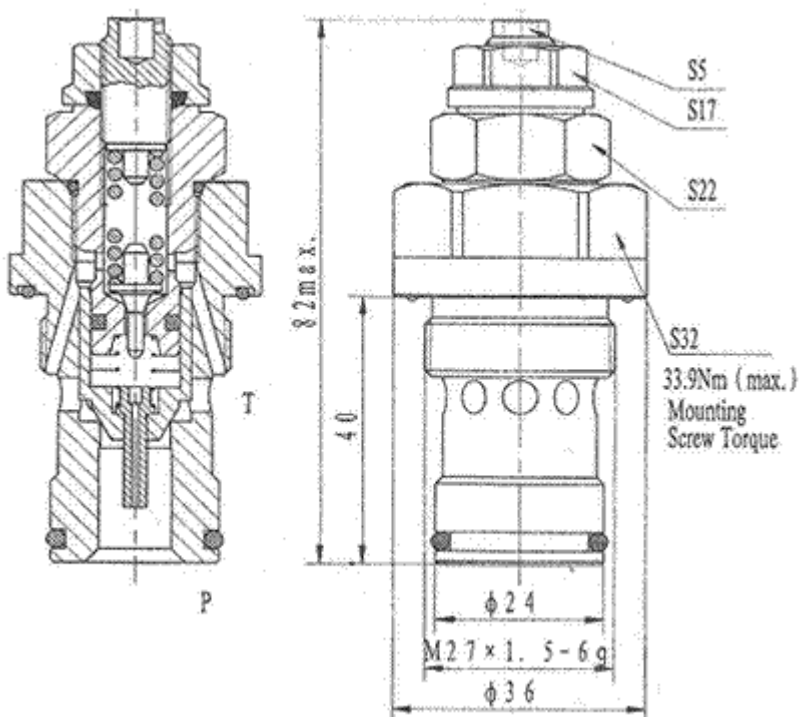
Model FT-XDYF20-00-00 Flow rate curve



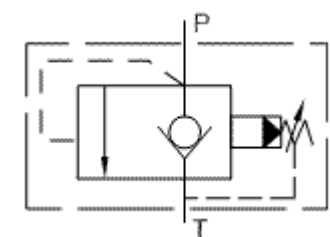
Model FT- XDYF20-00-00 Cavity dimensions



Model FT-XDYF20-01-00



Symbol:



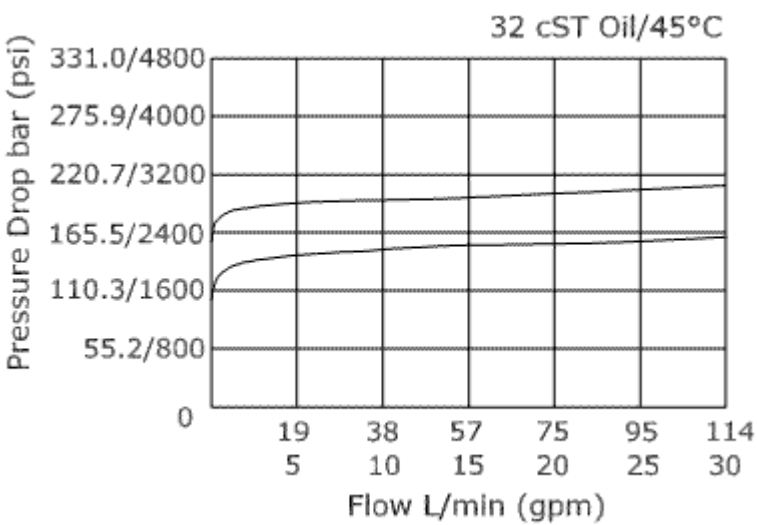
Characteristic:

- 1. Sensitive response to different pressure
- 2. Industry common cavity
- 3. Compact design for easy assembly
- 4. Long life performance service

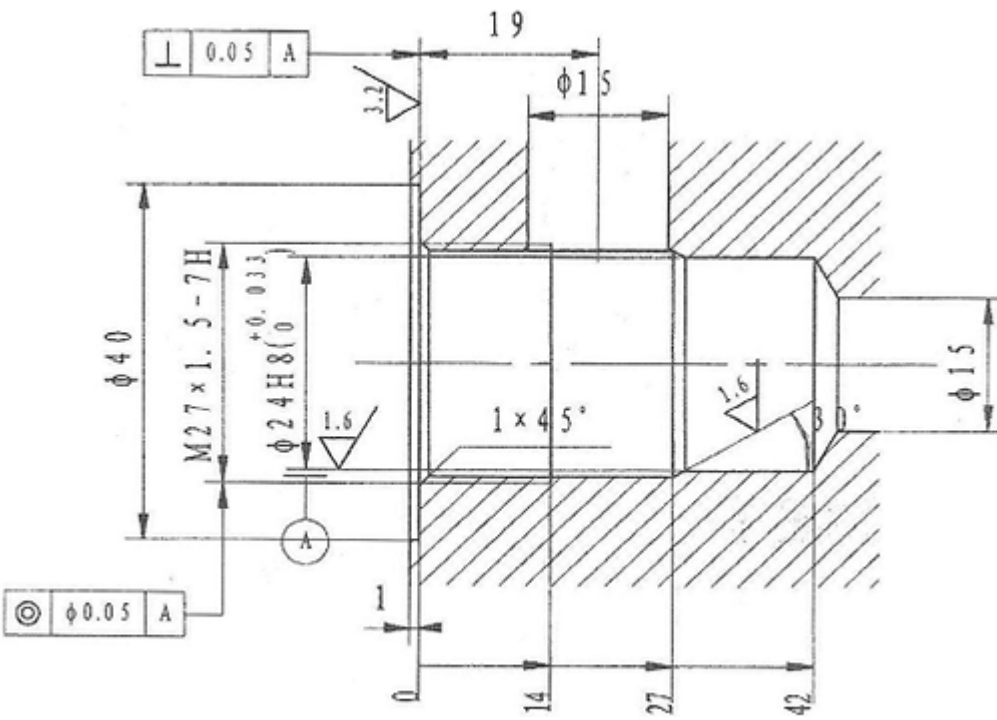
Technical data

General information	
Max. Operating Pressure (bar)	300
Flow Rate (L/min)	See flow rate curve
Adjustable range (bar)	1~300
Standard presetting pressure (bar)	160
Reverse cracking pressure (bar)	1.5
Internal leakage	≤ 30 ml/min (~85% Setting pressure)
Fluid Contamination	Recommend: ISO 19/15
Fluid	Mineral oil or consult us for other fluids
Temperature • C	-30~+110 (86OF~230 OF)

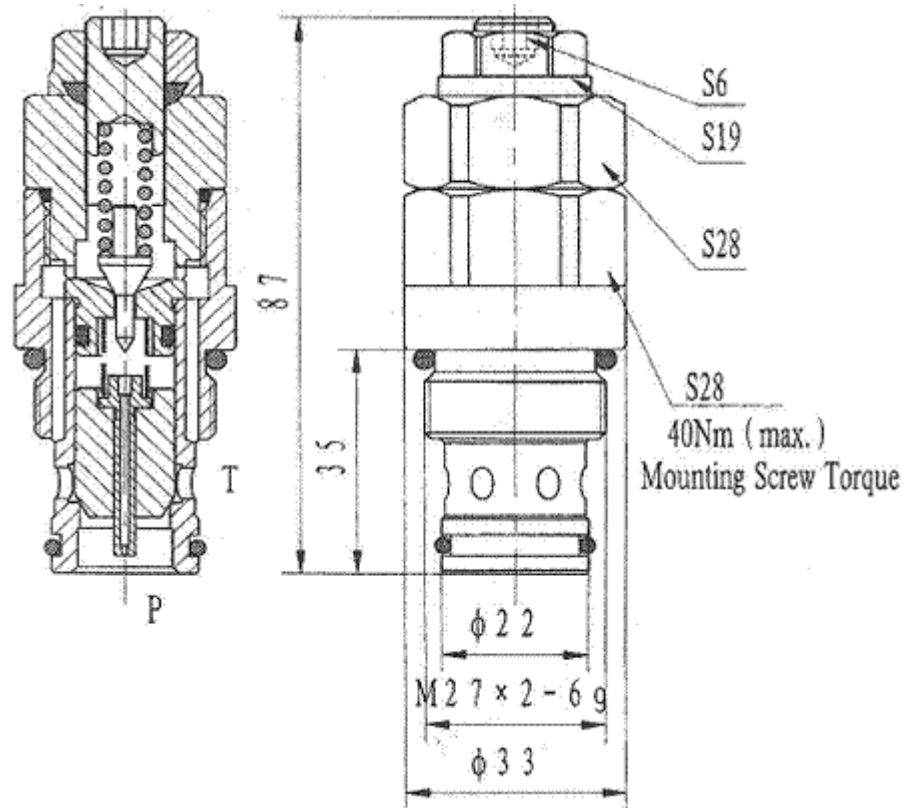
Model FT-XDYF20-01-00 Flow rate curve



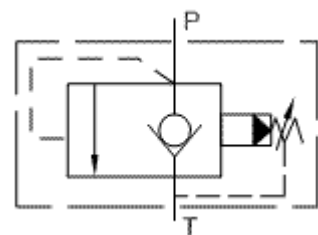
Model FT- XDYF20-01-00 Cavity dimensions



Model FT-XDYF25-01-00



Symbol:



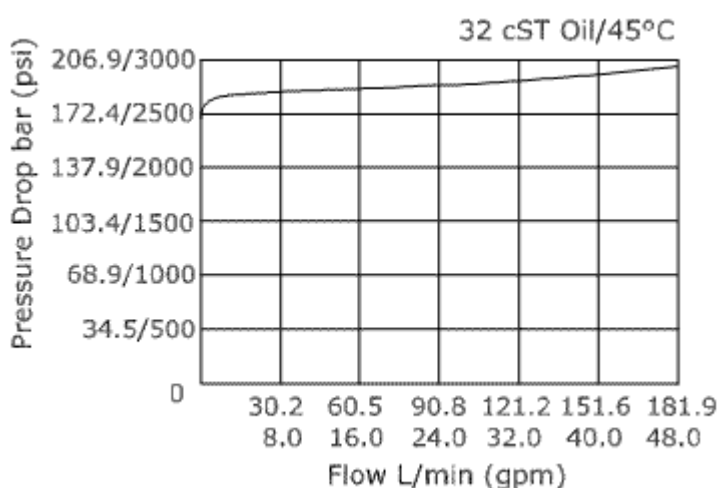
Characteristic:

- 1. Sensitive response to different pressure
- 2. Industry common cavity
- 3. Compact design for easy assembly
- 4. Long life performance service

Technical data

General information	
Max. Operating Pressure (bar)	315
Flow Rate (L/min)	See flow rate curve
Adjustable range (bar)	1~300
Standard presetting pressure (bar)	200
Reverse cracking pressure (bar)	1.5
Internal leakage	≤30ml/min (~85% Setting pressure)
Fluid Contamination	Recommend: ISO 19/15
Fluid	Mineral oil or consult us for other fluids
Temperature • C	-30~+110 (86OF~230 OF)

Model FT-XDYF25-01-00 Flow rate curve

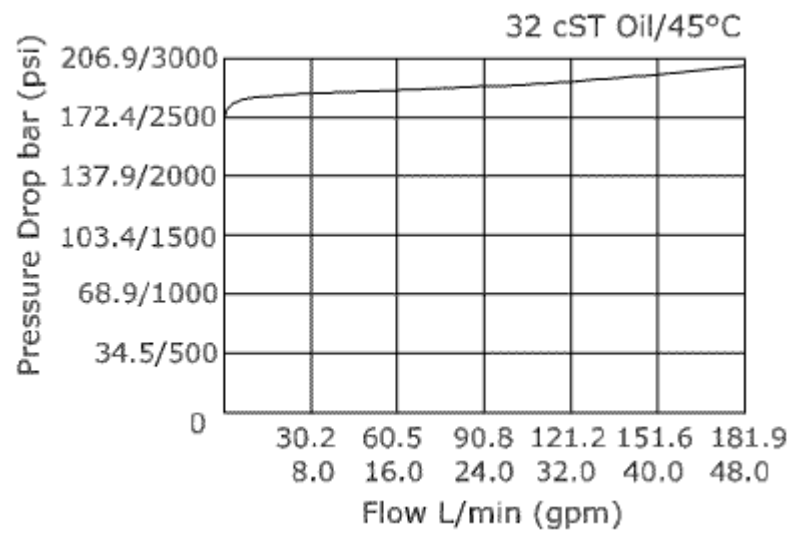


Model FT- XDYF25-01-00 Cavity dimensions

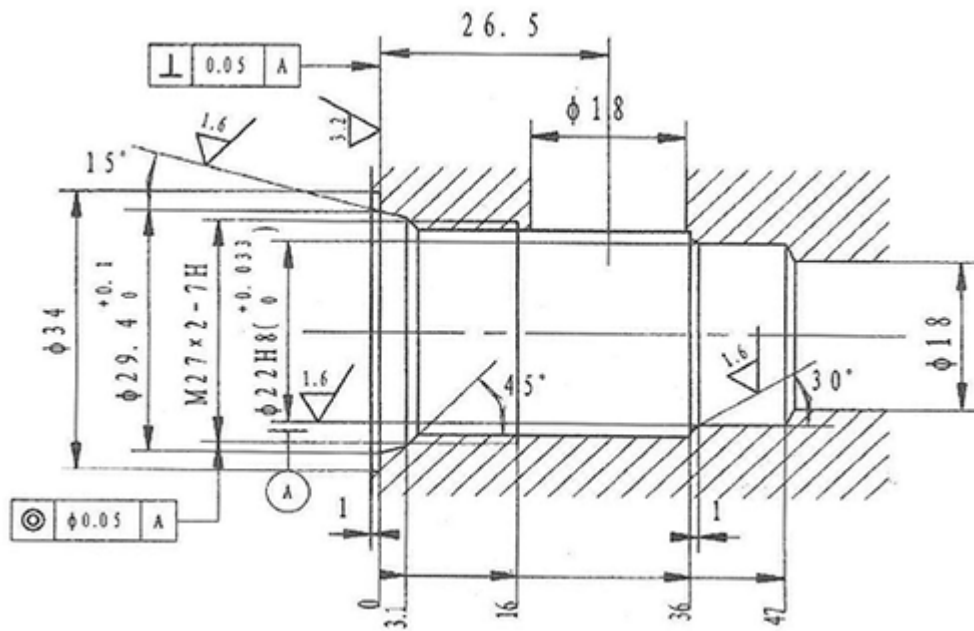
Technical data

General information	
Max. Operating Pressure (bar)	315
Flow Rate (L/min)	See flow rate curve
Adjustable range (bar)	1~300
Standard presetting pressure (bar)	200
Reverse cracking pressure (bar)	1.5
Internal leakage	<=30ml/min (~85% Setting pressure)
Fluid Contamination	Recommend: ISO 19/15
Fluid	Mineral oil or consult us for other fluids
Temperature • C	-30~+110 (86OF~230 OF)

Model FT-XDYF25-02-00 Flow rate curve



Model FT- XDYF25-02-00 Cavity dimensions



[Pilot operated check relief cartridge](#)

[Directional spool valves](#), [Direct operated spool valve](#), [Hand level spool valve](#), [Solenoid controlled directional valve](#), [Hydraulic operation valve](#), [Solenoid operated directional spool valve](#), [Electrical operated directional valve](#), [Hydraulic Solenoid valve](#), [Solenoid controlled directional valve](#), [Electro-hydraulic operation valves](#), [Externally pilot operated valve](#), [Hydraulic directional control valve](#), [Hydraulic operation directional control valve](#), [Manually directional valves](#), [Mechanical operational valve](#), [Manually operational valve](#), [Directional valves pilot operated](#), [Solenoid operated directional poppet valve](#), [Poppet valve with solenoid operation](#), [Directional poppet valves](#), [Pressure control valves](#), [Pressure relief valves](#), [Pressure direct operated relief valve](#), [Pilot operated pressure relief valve](#), [Pressure relief cartridge valve](#), [Pressure reducing valves](#), [Pilot operated pressure reducing valve](#), [Pressure unloading valves](#), [Pressure relief cartridge valve](#), [Pilot operated pressure unloading valve](#), [Pressure sequence valves](#), [Pilot operated pressure sequence valve](#), [Direct operated pressure reducing valve](#), [Sandwich plate pressure relief valve](#), [Flow control valves](#), [Throttle and throttle check valves](#), [Throttle valves](#), [Throttle check valves](#), [Sandwich plate check valve](#), [One directional control valves](#), [Double throttle check valves](#), [Restrict flow valves](#), [Sandwich flow valves](#), [Pressure compensated valves](#), [Pressure compensated flow control valves](#), [Check valves](#), [Sandwich plate check valve](#), [Pilot operated check valve](#), [Check \(Non-return\) valves](#), [Hydraulic pilot operated check valve](#), [RVP series direct operated check valves](#), [Direct operated check valves](#), [Cartridge Valves](#), [Reverse check cartridge valves](#), [Hydraulic operated check cartridge valves](#), [Check cartridge valves](#), [Pilot operated check relief cartridge valves](#), [YF Direct operated relief cartridge valves](#), [Hydraulic accessories](#), [Six-circuit gauge isolator](#), [Pressure gauge isolator](#), [Hydraulic Pressure switch](#), [Pressure switch](#), [Piston type pressure switch](#), [Valve subplates](#), [Manifold bar](#).

Add: 118 Qiancheng Road, Zhenhai, Ningbo, Zhejiang Province

Contact: Sean Zhou

Tel: +86-574-86361025

Fax: +86-574-86361266

E-mail: sales@china-hydraulicvalves.com

WebSite: <http://www.hydraulicvalvesf.com>
