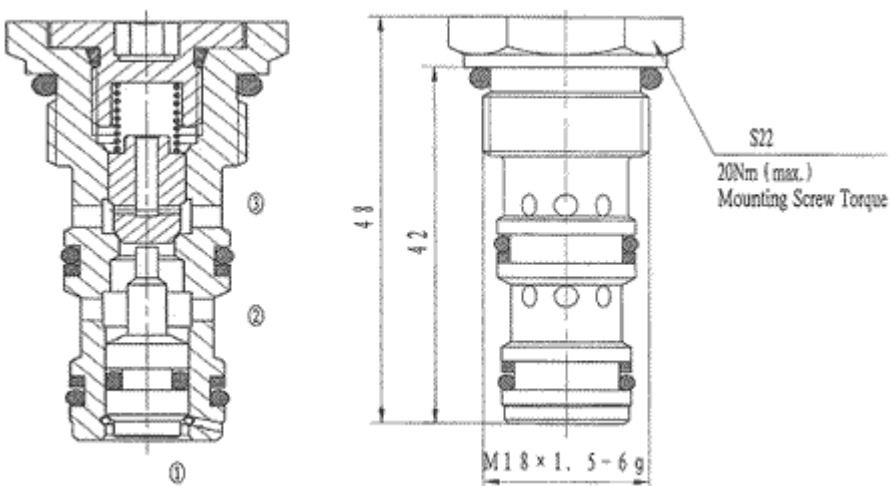


[China Hydraulic operated check cartridge valves, Manufacturer, Supplier, Factory, Exporter in china](#)

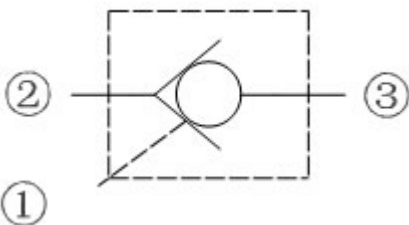


Hydraulic operated check cartridge valves

Model FT-YDF06-01-00



Symbol:



Characteristic:

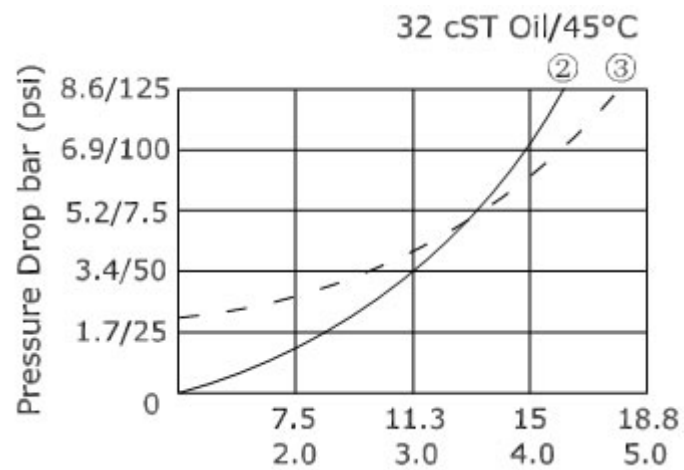
1. Sensitive response to different pressure
2. Industry common cavity
3. Compact design for easy assembly

4. 4. Long life performance service

Technical data

General information	
Max. Operating Pressure (bar)	315
Flow Rate (L/min)	See flow rate curve
Cracking Pressure (bar)	2
Internal Leakage	3 to 2 <=5drops/min. 2 to 1 <=80ml/min.
Plunger Pilot Ration	3 : 1
Fluid Contamination	Recommend: ISO 19/15
Fluid	Mineral oil or consult us for other fluids
Temperature • C	-30~+110 (86OF~230 OF)

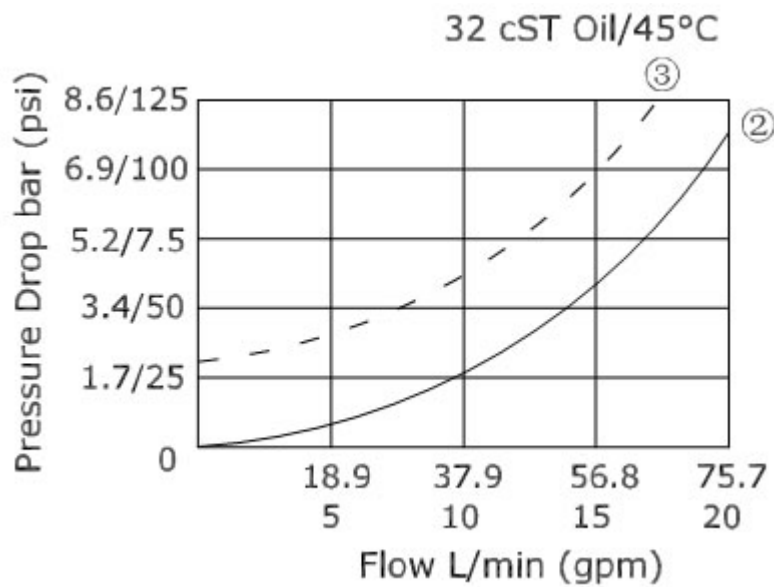
Model FT-YDF06-01-00 Flow rate curve



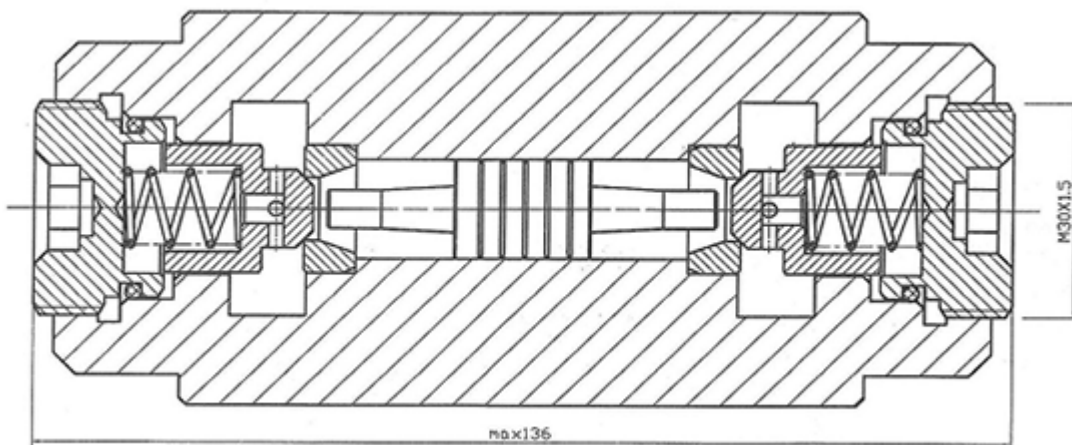
Technical data

General information	
Max. Operating Pressure (bar)	350
Flow Rate (L/min)	See flow rate curve
Cracking Pressure (bar)	2
Internal Leakage	3 to 2 ≤ 5drops/min. 2 to 1 ≤ 80ml/min.
Plunger Pilot Ration	16 : 1
Fluid Contamination	Recommend: ISO 19/15
Fluid	Mineral oil or consult us for other fluids
Temperature • C	-30~+110 (86OF~230 OF)

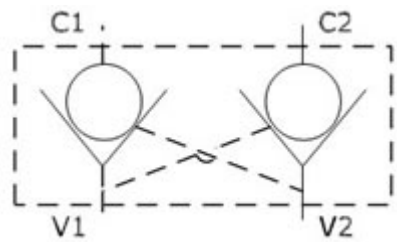
Model FT-YDF10-10-00 Flow rate curve



Model FT-YDF20-00-00



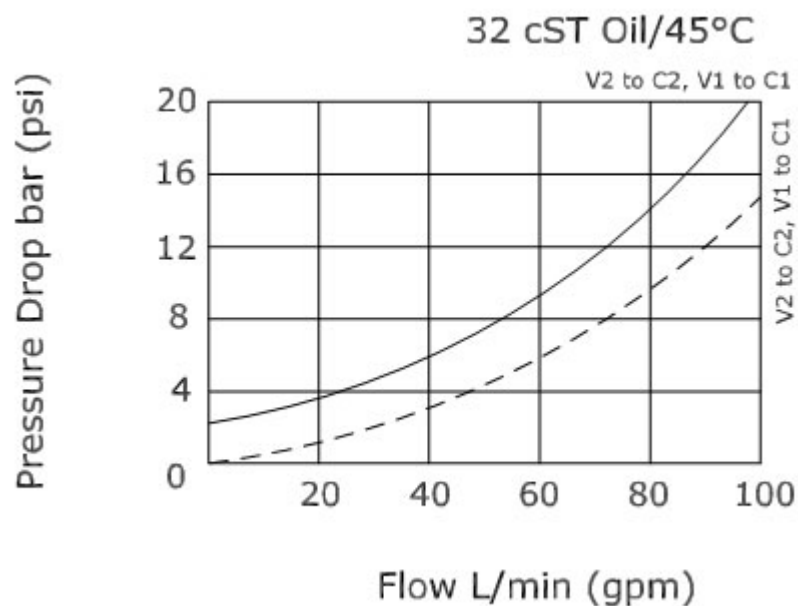
Symbol:



Technical data

General information	
Max. Operating Pressure (bar)	270/350
Flow Rate (L/min)	See flow rate curve
Cracking Pressure (bar)	2
Internal Leakage	C2 to V2 <=5drops/min. C1 to V1 <=5drops/min
Fluid Contamination	Recommend: ISO 19/15
Fluid	Mineral oil or consult us for other fluids
Temperature • C	-30~+110 (86OF~230 OF)

Model FT-YDF20-00-00 Flow rate curve





[Hydraulic operated check cartridge](#)

[Directional spool valves](#), [Direct operated spool valve](#), [Hand level spool valve](#) , [Solenoid controlled directional valve](#) , [Hydraulic operation valve](#) , [Solenoid operated directional spool valve](#), [Electrical operated directional valve](#) , [Hydraulic Solenoid valve](#) , [Solenoid controlled directional valve](#) , [Electro-hydraulic operation valves](#), [Externally pilot operated valve](#) , [Hydraulic directional control valve](#), [Hydraulic operation directional control valve](#) , [Manually directional valves](#), [Mechanical operational valve](#) , [Manually operational valve](#), [Directional valves pilot operated](#) , [Solenoid operated directional poppet valve](#), [Poppet valve with solenoid operation](#) , [Directional poppet valves](#) , [Pressure control valves](#), [Pressure relief valves](#), [Pressure direct operated relief valve](#) , [Pilot operated pressure relief valve](#), [Pressure relief cartridge valve](#) , [Pressure reducing valves](#) , [Pilot operated pressure reducing valve](#), [Pressure unloading valves](#) , [Pressure relief cartridge valve](#), [Pilot operated pressure unloading valve](#), [Pressure sequence valves](#) , [Pilot operated pressure sequence valve](#), [Direct operated pressure reducing valve](#), [Sandwich plate pressure relief valve](#), [Flow control valves](#), [Throttle and throttle check valves](#), [Throttle valves](#) , [Throttle check valves](#), [Sandwich plate check valve](#) , [One directional control valves](#) , [Double throttle check valves](#), [Restrict flow valves](#), [Sandwich flow valves](#) , [Pressure compensated valves](#) , [Pressure compensated flow control valves](#) , [Check valves](#), [Sandwich plate check valve](#), [Pilot operated check valve](#), [Check \(Non-return\) valves](#), [Hydraulic pilot operated check valve](#), [RVP series direct operated check valves](#) , [Direct operated check valves](#), [Cartridge Valves](#), [Reverse check cartridge valves](#), [Hydraulic operated check cartridge valves](#), [Check cartridge valves](#), [Pilot operated check relief cartridge valves](#), [YF Direct operated relief cartridge valves](#), [Hydraulic accessories](#), [Six-circuit gauge isolator](#), [Pressure gauge isolator](#), [Hydraulic Pressure switch](#) , [Pressure switch](#), [Piston type pressure switch](#) , [Valve subplates](#), [Manifold bar](#),

Ningbo Hanshang Hydraulic Co.,Ltd.
Add: 118 Qiancheng Road, Zhenhai, Ningbo, Zhejiang Province
Contact: Sean Zhou
Tel: +86-574-86361025
Fax: +86-574-86361266
E-mail: sales@china-hydraulicvalves.com
WebSite: <http://www.hydraulicvalvesf.com>