

China Hydraulic directional control valve, Manufacturer, Supplier, Factory, Exporter in china

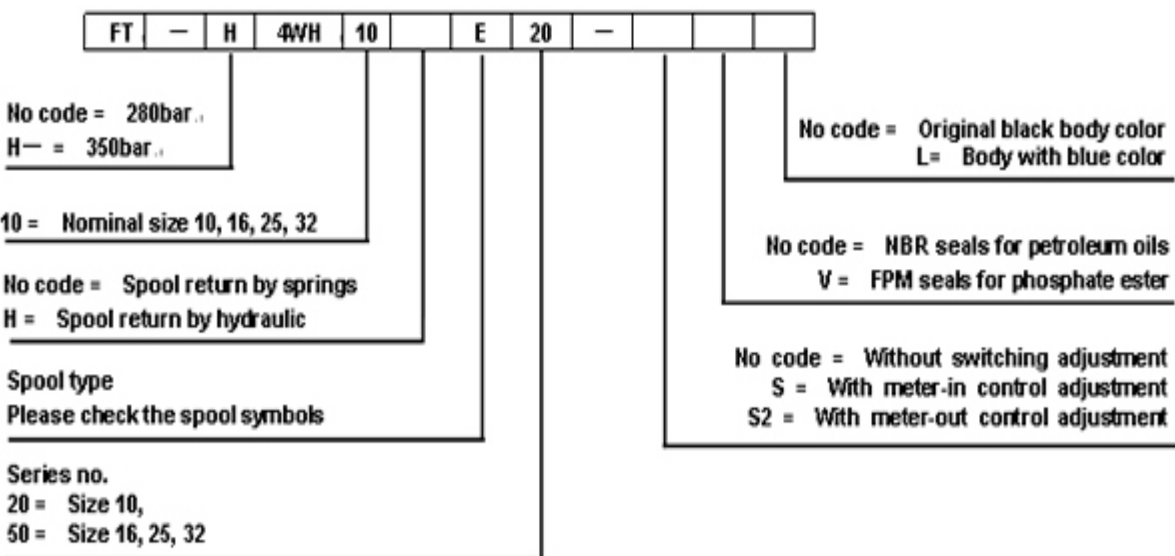


Hydraulic directional control valves

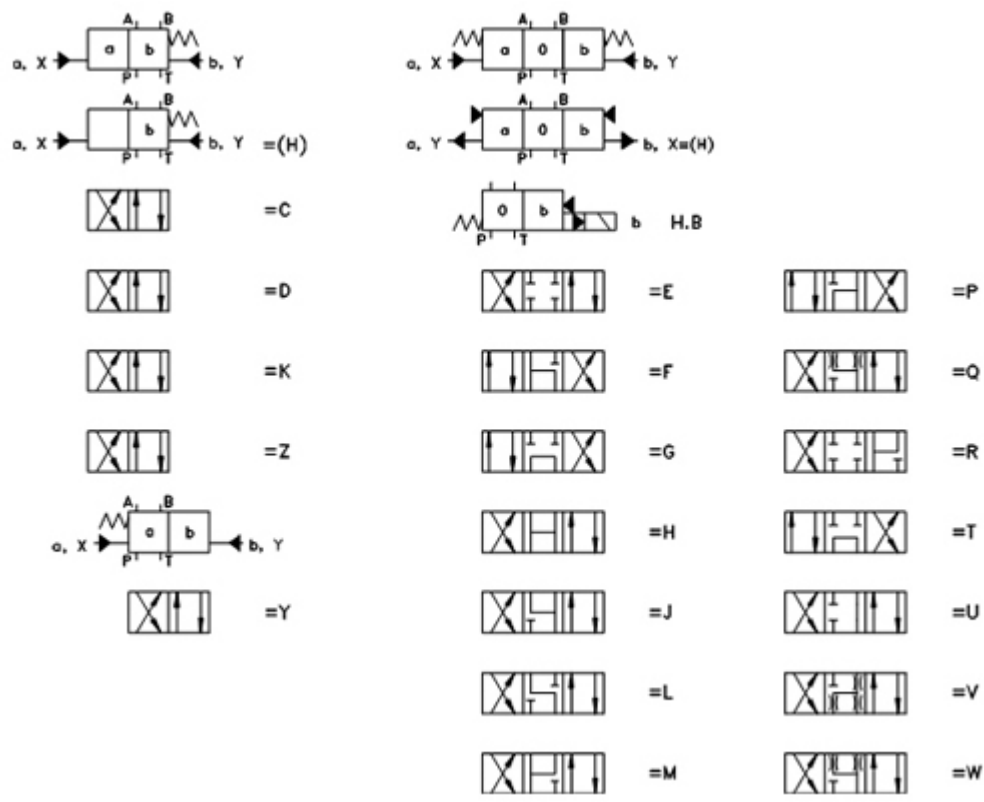
Model FT-WH series are hydraulic operated valves, they control the direction, start, with characteristic of low switching noise, great performance, replacement and standard mounting.

Characteristics:

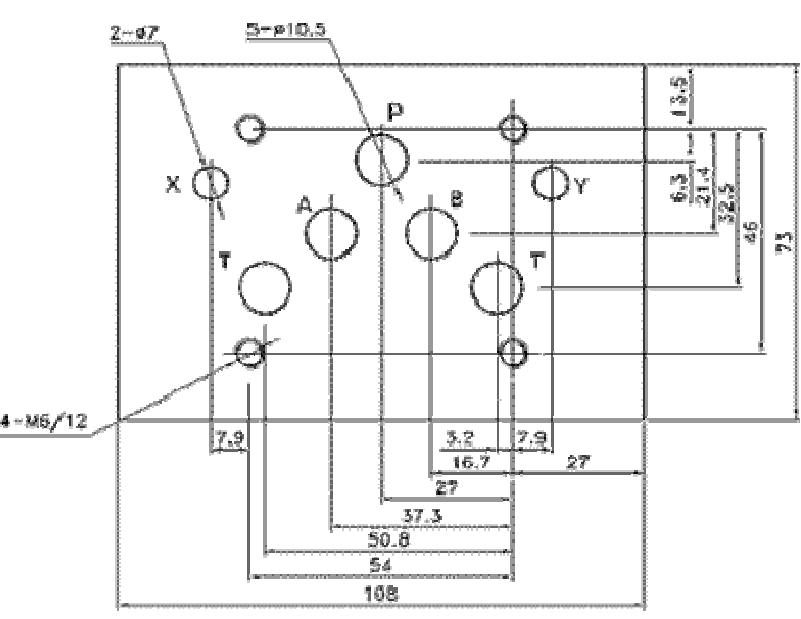
1. 1. For subplate mounting
2. 2. Spring or pressure centered, spring or hydraulically offset.
3. 3. Switching time adjustment, optional
4. 4. Subplate mounting customized, optional



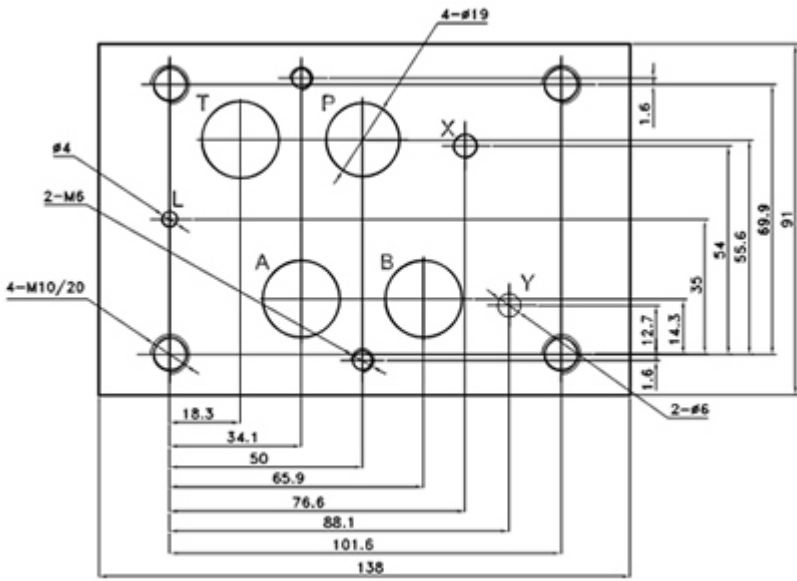
Spool symbols



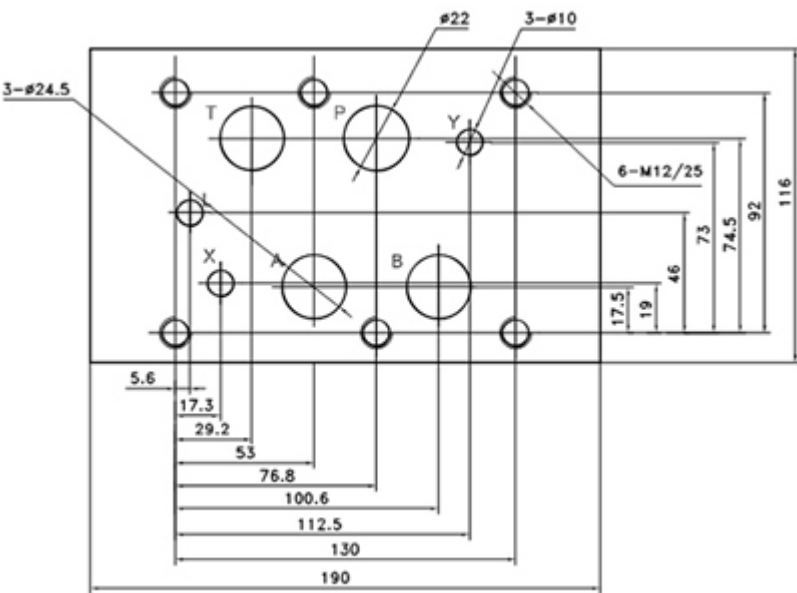
Model FT --WH 10 subplate dimensions for mounting



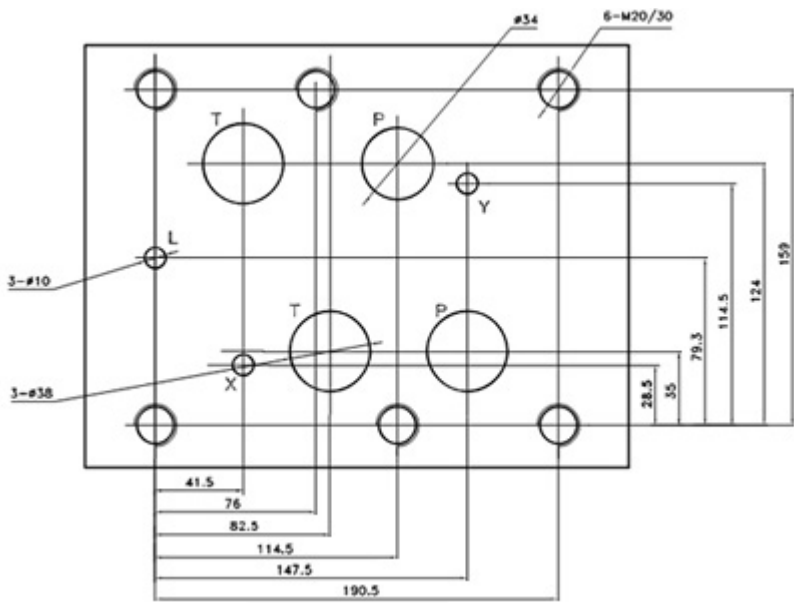
Model FT --WH 16 subplate dimensions for mounting



Model FT --WH 25 subplate dimensions for mounting



Model FT --WH 32 subplate dimensions for mounting



[Hydraulic directional control valves-pro](#)

[Directional spool valves](#), [Direct operated spool valve](#), [Hand level spool valve](#), [Solenoid controlled directional valve](#), [Hydraulic operation valve](#), [Solenoid operated directional spool valve](#), [Electrical operated directional valve](#), [Hydraulic Solenoid valve](#), [Solenoid controlled directional valve](#), [Electro-hydraulic operation valves](#), [Externally pilot operated valve](#), [Hydraulic directional control valve](#), [Hydraulic operation directional control valve](#), [Manually directional valves](#), [Mechanical operational valve](#), [Manually operational valve](#), [Directional valves pilot operated](#), [Solenoid operated directional poppet valve](#), [Poppet valve with solenoid operation](#), [Directional poppet valves](#), [Pressure control valves](#), [Pressure relief valves](#), [Pressure direct operated relief valve](#), [Pilot operated pressure relief valve](#), [Pressure relief cartridge valve](#), [Pressure reducing valves](#), [Pilot operated pressure reducing valve](#), [Pressure unloading valves](#), [Pressure relief cartridge valve](#), [Pilot operated pressure unloading valve](#), [Pressure sequence valves](#), [Pilot operated pressure sequence valve](#), [Direct operated pressure reducing valve](#), [Sandwich plate pressure relief valve](#), [Flow control valves](#), [Throttle and throttle check valves](#), [Throttle valves](#), [Throttle check valves](#), [Sandwich plate check valve](#), [One directional control valves](#), [Double throttle check valves](#), [Restrict flow valves](#), [Sandwich flow valves](#), [Pressure compensated valves](#), [Pressure compensated flow control valves](#), [Check valves](#), [Sandwich plate check valve](#), [Pilot operated check valve](#), [Check \(Non-return\) valves](#), [Hydraulic pilot operated check valve](#), [RVP series direct operated check valves](#), [Direct operated check valves](#), [Cartridge Valves](#), [Reverse check cartridge valves](#), [Hydraulic operated check cartridge valves](#), [Check cartridge](#)

[valves](#), [Pilot operated check relief cartridge valves](#), [YF Direct operated relief cartridge valves](#), [Hydraulic accessories](#), [Six-circuit gauge isolator](#), [Pressure gauge isolator](#), [Hydraulic Pressure switch](#) , [Pressure switch](#), [Piston type pressure switch](#) , [Valve subplates](#), [Manifold bar](#),

Ningbo Hanshang Hydraulic Co., Ltd.

Add: 118 Qiancheng Road, Zhenhai, Ningbo, Zhejiang Province

Contact: Sean Zhou

Tel: 574-86361025

Fax: 574-86361266

E-mail: sales@china-hydraulicvalves.com

Website: <http://www.hydraulicvalvesf.com>
